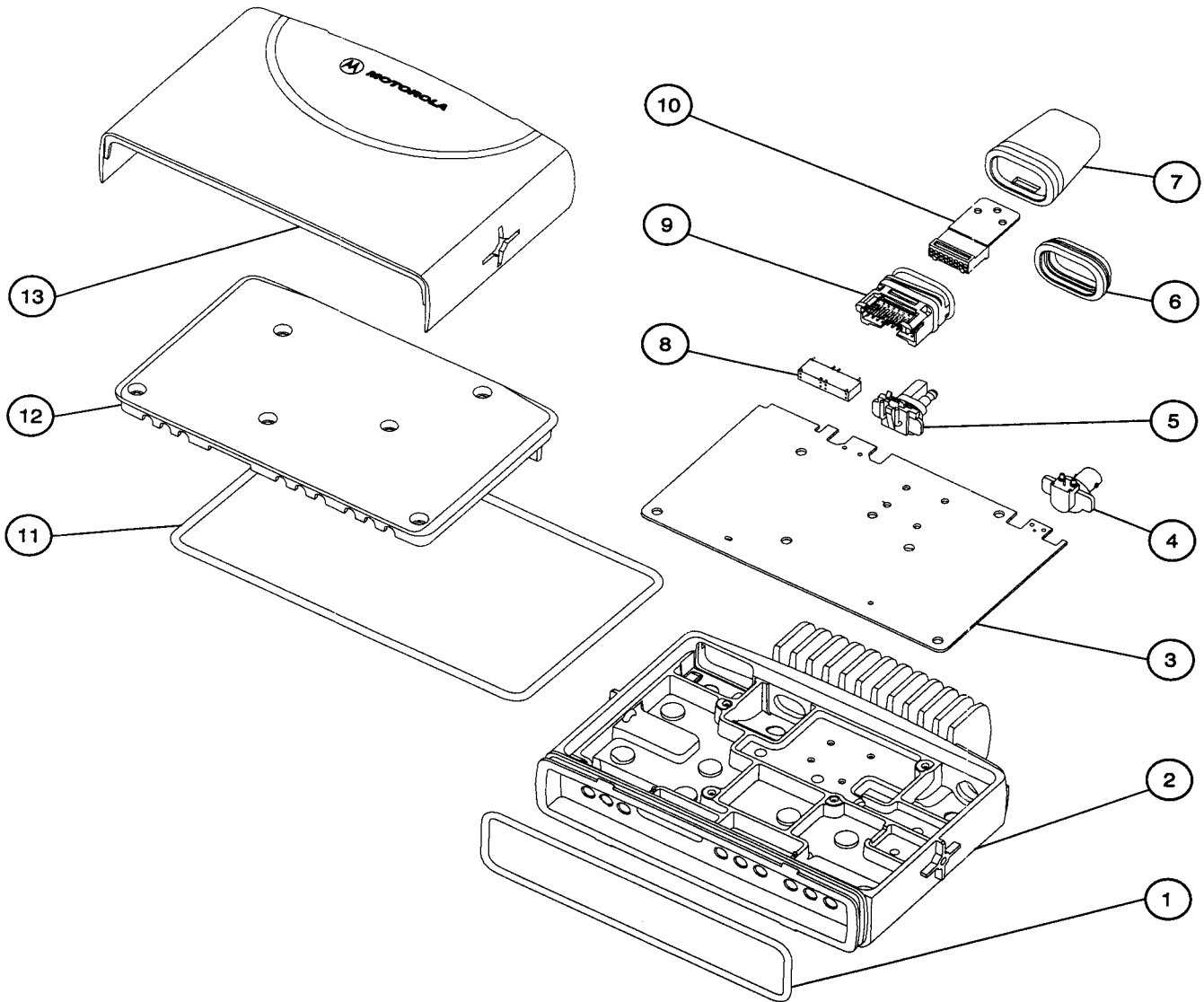


CDM750/1250/1550 Series

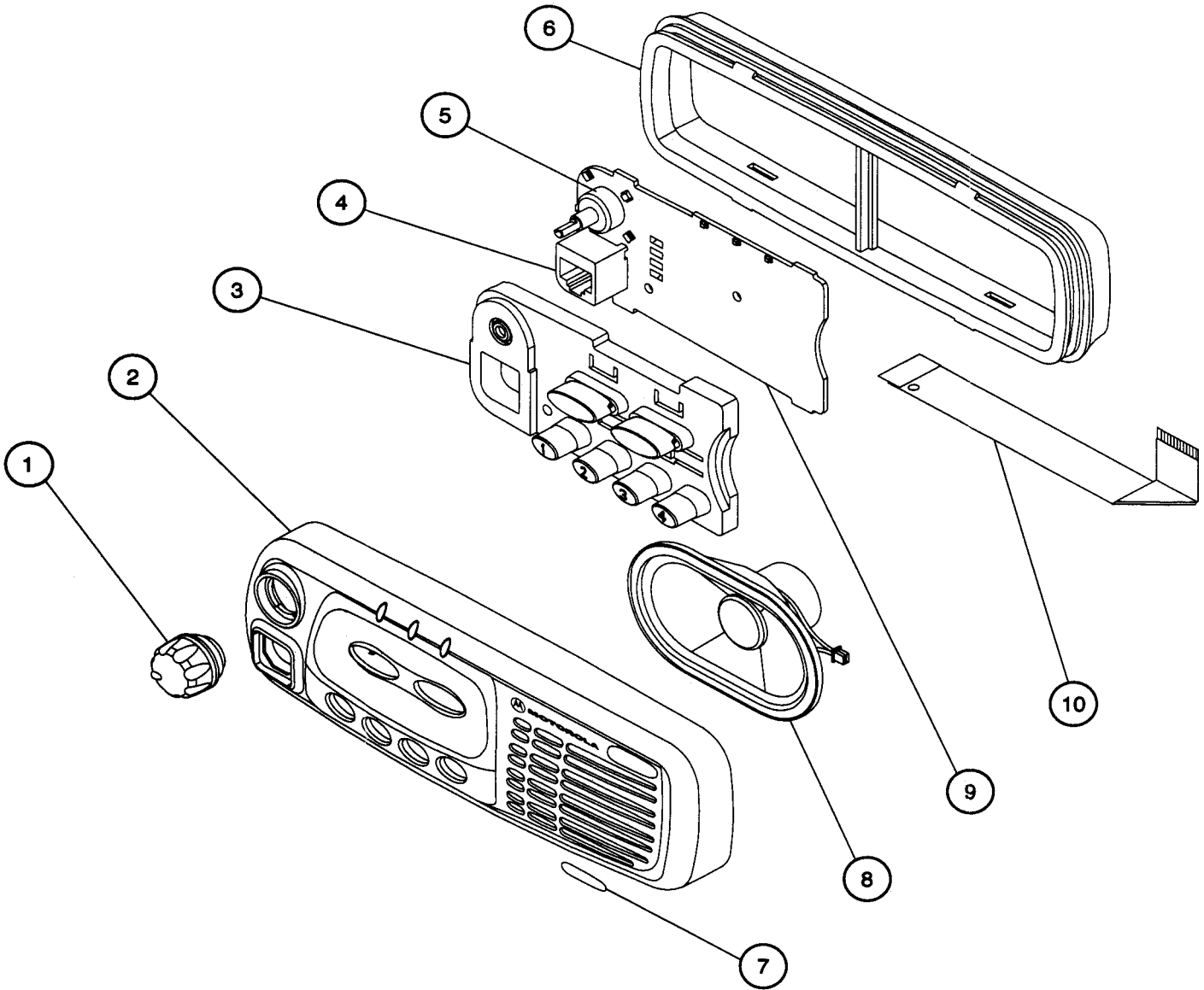
Parts List



Parts List**Radio Assembly**

REF. NO.	PART NO.	DESCRIPTION	REF. NO.	PART NO.	DESCRIPTION
1	3202620Y01	Gasket, Control Head	10	1580922V01	Connector, Housing (optional)
2	2786168B01	Chassis 45W	11	---	Gasket, Cover 45W (part of item 12)
	2786082B01	Chassis 25W		---	Gasket, Cover 25W (part of item 12)
3	---	Main PCB (includes items 4, 5, and 8)	12	1586084B01	Cover, 25W
4	0986166B02	Antenna Connector		1586169B01	Cover, 45W
5	0986165B01	Power Connector	13	1586083B01	Cover, Plastic 25W
6	3202607Y01	Gasket, Cover		1586170B01	Cover, Plastic 45W
7	3202606Y01	Gasket, Accessory Connector (optional)	NON-REFERENCED ITEMS		
8	0986105B01	Connector, 20-Pin		0310911A30	Screw T20, 6x
9	2886122B02	Connector Assembly			

Parts List



CDM750 Radio Control Head

REF. NO.	PART NO.	DESCRIPTION
1	3686098B02	Knob, Volume
2	1586086B01	Housing, Front
3	7586089B01	Keypad
	---	Keypad Button**
4	2864287B01	10-Pin Microphone Jack
5	1805911V02	Potentiometer
6	1586092B01	Backhousing

REF. NO.	PART NO.	DESCRIPTION
	3286094B01	Backhousing O-ring
7	HLN9888	Label
8	5086126B01	Speaker
9	GLN7350	PCB
10	8486127B01	Flex 12-Position Connector

** Consult basic service manual

CDM750/1250/1550 Series

Parts List

CDM1250 Radio Control Head

REF. NO.	PART NO.	DESCRIPTION
1	HLN9889	Label
2	1586087B01	Housing Front
3	7586090B01	Keypad
	---	Keypad Button**
4	7286104B01	LCD Glass
5	0786099B01	Frame LCD
6	3686098B02	Knob, Volume
7	2864287B01	10-Pin, Microphone Jack
8	1805911V02	Potentiometer

REF. NO.	PART NO.	DESCRIPTION
9	GLN7352	PCB
10	1586093B02	Back Housing
11	3786107B01	Tube, Speaker
12	2886130B01	Connector, Elastomeric
	2886130B02	Connector, Elastomeric
13	5086126B01	Speaker

NON-REFERENCED ITEMS

8486127B01 Flex, 12-Position Connector



CDM750/1250/1550 Series

Mobile Accessories



CDM1550 Radio Control Head

REF. NO.	PART NO.	DESCRIPTION
1	HLN9890	Label
2	1586088B01	Housing Front
3	7586091B01	Keypad, PRO7100
	---	Keypad Button**
4	2864287B01	10-Pin, Microphone Jack
5	3686098B02	Knob, Volume
6	1805911V01	Potentiometer
7	GLN7352	PCB
8	1586093B02	Back Housing
9	7286104B01	LCD Glass
10	0786099B01	Frame LCD

REF. NO.	PART NO.	DESCRIPTION
11	2886130B01	Connector, Elastomeric
	2886130B02	Connector, Elastomeric
12	3786107B01	Tube, Speaker
13	5086126B01	Speaker

NON-REFERENCED ITEMS

8486127B01	Flex, 12-Position Connector
-------------------	-----------------------------

Note: Speaker (13) and tube (12) are glued together using self-adhesive material. If replacement is required, it is recommended to order both parts.

CDM750/1250/1550 Series

Mobile Accessories

Microphones

AARMN4025B Standard Compact Microphone provides basic push-to-talk functionality and ships with all CDM Series mobile radios.



AARMN4025B



AARMN4026B

AARMN4026B Enhanced Keypad Microphone includes a full keypad that enables you to dial phone numbers from the microphone. Also has three customizable buttons that can be programmed with any of the control head features.

AARMN4038B Heavy-Duty Microphone for users who want a more durable microphone. Also ideal for those who need a larger microphone that is easy to handle with gloves on.

AARMN4027A Visor Microphone for use with external push-to-talk accessories. Microphone mounts to vehicle's visor for convenient hands-free operation of radio.

Hands-free Accessories

RLN4857A Pushbutton with Push-to-Talk Feature provides hands-free operation of radio in vehicle, allowing you to transmit messages without using a mobile microphone. Must be used in conjunction with the visor microphone. Push-to-talk button can be held in the hand or mounted in the vehicle with touch fasteners.

RLN4856A Foot Switch with Push-to-Talk Feature provides hands-free operation of radio in vehicle, allowing you to transmit messages without using a mobile microphone. Foot switch mounts to the vehicle's floor and must be used in conjunction with the visor microphone.

RLN4858A Gooseneck Mount with Push-to-Talk Feature provides hands-free operation of radio in vehicle, allowing you to transmit messages without using a mobile microphone. Gooseneck push-to-talk button mounts to the steering wheel column and must be used in conjunction with the visor microphone.



AAREX4617A

AAREX4617A Telephone Style Handset is ideal for those who want the ability to conduct private radio conversations. You can transmit and receive messages through this ergonomically designed, easy-to-hold handset. Includes hang-up cup and hardware.

RLN4836A Emergency Foot Switch enables you to notify the base station quickly and discreetly that you are in an emergency situation. Pressing the foot switch sends a signal to the base station and activates the microphone, so you can communicate with the base station.

CDM750/1250/1550 Series

Mobile Accessories

Speakers



RSN4001A

RSN4001A External 13-Watt Speaker offers a higher level of radio volume output – beneficial if you operate in an extremely noisy environment.

HSN8145B External 7.5-Watt Speaker offers a higher level of radio volume output – beneficial if you operate in a highly noisy environment.



HSN8145B

Mounting Accessories

GLN7324A Low-Profile Mounting Trunnion. This standard mounting bracket is ideal for vehicles with limited space for mounting the mobile radio.



GLN7324A

GLN7317A High-Profile Mounting Trunnion This mounting bracket enables more mounting angles than the low-profile trunnion.

HLN8097A Removable Slide Mount is ideal if you frequently move the radio from one vehicle to another, or if you are concerned about radio theft. Radio easily slips in and out of the slide mount.

RLN4779A Key Lock Mount gives radio extra protection from theft by requiring use of a key to lock/unlock radio from its position in the mounting bracket.



RLN4774A

RLN4774A Three-Point Low Band Mount provides extra stability for mounting low band radio models.

CDM750/1250/1550 Series

Mobile Accessories

Mounting Accessories

Direct in Dashboard Mounting Kits

Ideal if you prefer to mount the radio directly into the dashboard for better appearance or to keep it from being an obstruction in the vehicle.

RLN4781A CDM750 Control Head

RLN4782A CDM1250, CDM1550, and CDM1550•LS Control Heads

Remote Mounting Kits

Allows you to mount radio chassis in the trunk or under the seat and mount control head elsewhere in the vehicle. Ideal for vehicles with no convenient place to mount the complete radio near dashboard, or where security may be of concern.

RLN4801A Remote Mount for CDM750 Control Head

RLN4802A Remote Mount for CDM1250, CDM1550, and CDM1550•LS Control Heads



RKN4801A
RKN4802A

Remote Mount Cables

These cables are used to connect the radio chassis to the control head.

RKN4077 3m Remote Mount Cable

RKN4078 5m Remote Mount Cable

RKN4079 7m Remote Mount Cable

Cables to Battery

These cables are used to connect the battery to the radio chassis.

HKN4137A 12V, 1-45W Low-Power Cable

HKN4191B 12V, 40-60W High-Power Cable

HKN4192B 20-foot, 12V, 1-45W Power Cable

Control Station Accessories

Desktop Power Supplies

HPN4002B 1-25 Watt Power Supply for use with low-power radios. Provides power for using the mobile from a desktop.

HPN4001B 25-45 Watt Power Supply for use with high-power radios. Provides power for using the mobile from a desktop.

Desktop Microphone

HMN3000B Black Desktop Microphone makes transmissions easier when the mobile radio is being used from a desktop because the microphone and push-to-talk button are larger. Helps expedite transmissions because you do not have to keep picking the microphone up.

Desktop Trays

GLN7318A Desktop Tray without Speaker. Ideal for securing the mobile in place in a desktop environment.

GLN7326A Desktop Tray with Speaker. Ideal for securing the mobile in place in a desktop environment. Includes a speaker for increased volume when receiving calls in high-noise areas.

Miscellaneous

AAHLN9725C Voice Storage Option Board enables you to record and playback memos or incoming radio calls.

Button Kits

RLN4829A Button Kit for CDM750. Replaceable button kit includes buttons for MON (monitor) and SCAN.

RLN4830A Button Kit for CDM1250 and CDM1550. Replaceable button kit includes buttons for ZONE, XPAND, HI/LO, EMERGENCY, and V STR (voice storage).

RLN4831A Button Kit for CDM1250, CDM1550, and CDM1550•LS. Replaceable button kit includes buttons for MON (monitor), SCAN, CALL, PHONE, and HOME.

CDM750/1250/1550 Series

Antennas, Service Aids

Antennas

The signals for these antennas are radiated vertically, making them ideal for urban environments where buildings might obstruct the signal.

HAD4006A VHF 136-144 MHz, 1/4-Wave Roof Mount

HAD4007A VHF 146-150.8 MHz, 1/4-Wave Roof Mount

HAD4008A VHF 150.8-162 MHz, 1/4-Wave Roof Mount

HAD4009A VHF 162-174 MHz, 1/4-Wave Roof Mount

HAE4002A UHF 403-430 MHz, 1/4-Wave Roof Mount

HAE4003A UHF 450-470 MHz, 1/4-Wave Roof Mount

HAE4004A UHF 470-512 MHz, 1/4-Wave Roof Mount

These antennas are designed to direct the signal more towards the horizon, making them ideal for applications in more geographically flat regions where signal coverage is sparse and must cover a larger area.

HAD4014A VHF 144-174 MHz, 3dB Gain Roof Mount

HAE4010A UHF 406-420 MHz, 3.5dB Gain Roof Mount

HAE4011A UHF 450-470 MHz, 3.5dB Gain Roof Mount

HAE4012A UHF 470-494 MHz, 3.5dB Gain Roof Mount

HAE4013A UHF 494-512 MHz, 5dB Gain Roof Mount

These antennas are for use with low band radio models.

RAB4002A Low Band 29.7-36 MHz

RAB4003A Low Band 36-42 MHz

RAB4004A Low Band 42-50 MHz

Service Aids

Programming Software

Utilizing your personal computer, the software enables you to add or reprogram frequencies as your requirements change. Compatible with IBM XT, AT, Model 30, 50, 60 and 80. Requires Radio Interface Box and appropriate cables; must be ordered separately.

Conventional

HVN9025D Programming Software, 3-1/2" Diskette (includes binder and manual)

Computer Interface Cable

Used to connect computer's serial port to Radio Interface Box.

3080369B71 Computer Interface Cable, RIB to 25 pin D

3080369B72 Computer Interface Cable, RIB to 9 pin D

Programming Cable

Required to program radio, acts as a link between RIB box and Radio.

AARKN4083A Programming Cable

AARKN4081B RIBless Programming Cable

CDM750/1250/1550 Series

Service Aids, Manuals

Service Aids

Radio Interface Box

Links radio programming cable and computer interface together. Provides required voltage shift to enable communications between radio and computer. Requires computer interface cable, radio programming cable, and a 9 volt snap type battery (6082728J01) or wall mount power supply. Order separately.



RLN4008E

RLN4008E Radio Interface Box



0180357A57

Wall Mounted Power Supply

Used to supply power to Radio Interface Box.

0180357A57 Wall Mounted Power Supply (110 volts)

0180358A56 Wall Mounted Power Supply(220 volts)

Manuals

6881092C58	Installation Manual
6881091C62	Basic Service Manual
6881091C63	Detailed Service Manual
6881091C54	CDM750 Users Guide
6881091C55	CDM1250 Users Guide
6881091C56	CDM1550 Users Guide