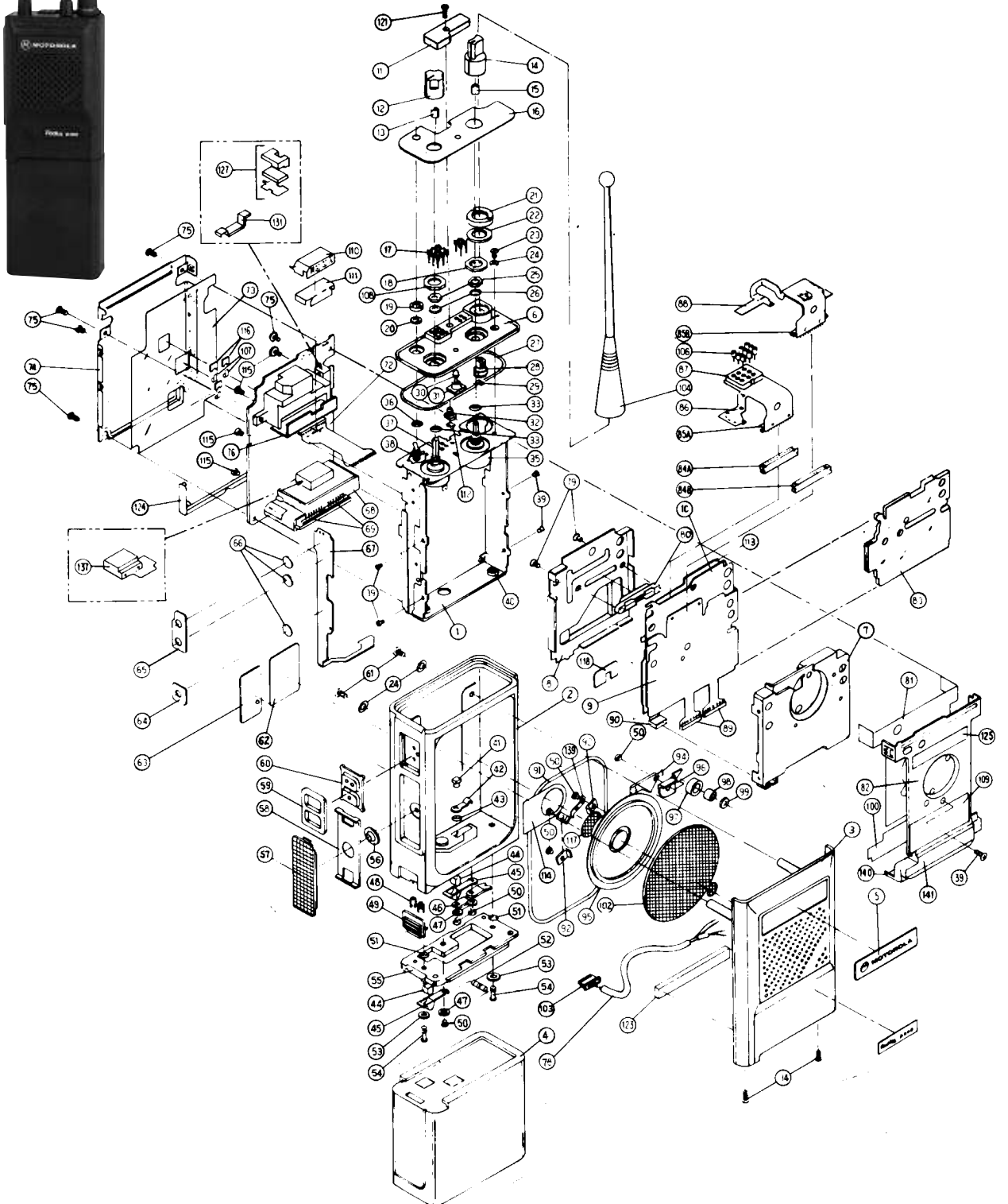


P200 Series



Parts List



Replacement parts may no longer be available

P200 Series

Parts List

REF. NO.	PART NO.	DESCRIPTION
1	0105956M63	Assembly, Frame; includes: *Item 1 frame *Item 40
2	0105952Q46	Assembly, Housing; includes: *Item 2 Housing *Items 56, 58, 59 and 60
3	----	Cover, Front
4	----	Battery
5	1305541S05	Nameplate, Front
6	0105951N41	Assembly, Top Control Panel; includes: *Item 6 Panel *Items 17, 28, 29, and 32
7	1505765R01	Carrier, Flex Top
8	----	Shield, Bottom
9	----	Assembly, Controller Flex; includes: *Item 9 Controller Flex *Items 10, 80, 84, 89, 90 and 118 (The controller flex assembly also includes electrical parts. See note)
10	----	*Shield, Center; part of item 9
11	----	Cover, Dust
12	0105951N79	Assembly, Knob; includes: *Item 12 Knob *Item 13
13	----	*Clip, Push; part of item 12
14	0105950N92	Assembly, Knob; includes: *Item 14 Knob *Item 15
15	----	*Clip, Push; part of item 14
16	1305676R14 or 1305676R15	Escutcheon (6-freq. radios) Escutcheon (2-freq. radios)
17	----	*Pin, Contact (P7); part of item 6. See note
18	0405218Q01	Washer
19	0205163Q01	Nut, Spanner
20	0405162Q01	Washer, Flat
21	0205765L02	Nut, Spanner
22	0405216L04	Washer, Flat
23	0300186785	Screw, Phillips Hd., 4-40 x 3/16"
24	0484345A06	Washer, Seal
25	0205629L02	Nut, Hex, 2 req'd
26	0405162Q02	Washer, Flat; 2 req'd
27	3205141Q02	Gasket, "O" Ring
28	----	*Bushing, Antenna; part of item 6
29	----	Lug, Antenna; part of item 6
30	4805729G24	LED, Bicolor (CR413A/CR413B)
31	3205131S01	Seal, LED
32	----	*Stud, Insert; part of item 6
33	3205082E01	Gasket, "O" Ring
34	0300132342	Screw, Phillips; 2-56 x 1/4"
35	4005148Q05	Switch, Frequency (S2)
36	3205141Q03	Gasket, "O" Ring
37	1805100Q04	Switch/Pot, On-Off/Volume (S1/R140)
38	4005101Q02	Switch, PL (S3)
39	0300140369	Screw, Flat Hd.; 2-56 x 1/8"
40	----	*Insert, Frame; part of item 1

REF. NO.	PART NO.	DESCRIPTION
41	4605945K05	Contact Stud, Battery
42	3905127Q01	Contact, B+
43	3205082E24	Gasket, "O" Ring
44	0705830C02	Support, Contact
45	3905421C13	Contact, Battery
46	2905124Q01	Lug
47	0400002625	Lockwasher, Split #2
48	4105944K01	Spring, Battery Latch
49	5505536P01	Latch
50	0300139444	Screw, Phillips Hd.; 2-56 x 5/32"
51	3205082E03	Gasket, "O" Ring
52	6505214E05	Fuse, (F-1)
53	0400009761	Lockwasher, Split #4
54	0305941K01	Screw
55	6405531P02	Plate, Base
56	----	*Actuator, PTT; part of item 2
57	4505535P01	Lever, PTT
58	----	*Retainer, PTT; part of item 2
59	----	*Plate, Actuator Button; part of item 2
60	----	*Button, Actuator; part of item 2
61	0305137Q04	Screw, Phillips; 4-40 x 5/16"
62	----	Label FCC
63	----	Label
64	----	*Seal, Dome (PTT); part of item 67
65	----	*Seal, Dome (Mon); part of item 67
66	----	*Contact, Snap Dome; part of item 67
67	0105951N40	Assembly, B+ /PTT Flex; includes: *Item 67/Flex *Items 64, 65 and 66
68	----	Housing, VCO
69	2805144Q01	Plug (P3, P4)
70	0300139939	Screw, Flat Hd.; 2-56 x 5/32"
72	----	Typical Circuit Board
73	----	Insulator, Back Shield
74	2605775R02	Shield, Main Back
75	0300136783	Screw, Phillips Hd.; 2-56 x 5/16"
76	----	Shield, Heatsink
78	----	*Tubing, Heat Shrink; part of item 9
79	0300138620	Screw, Phillips; 2-56 x 5/16"
80	----	*Header, part of item 9
81	----	Insulator, front shield; part of item 82
82	----	*Assembly, Front Shield; includes items 81, 100, 109 and 125
83	----	Insulator, Flex
84A	----	*Jack (J2), part of item 9
84B	----	*Jack (J1), part of item 9
85A	----	*Jack (P2), part of item 86
85B	----	*Jack (P1), part of item 88
86	----	Assembly, Volume Pot Flex; includes: *Item 86 Volume Pot Flex *85A, 87 and 106
87	----	*Header, part of item 86
88	0105956M68	Assembly, Frequency Switch Flex; includes: *Item 88 Frequency Switch Flex *Item 85B

REF. NO.	PART NO.	DESCRIPTION
89A	----	*Jack (J3), part of item 9
89B	----	*Jack (J4), part of item 9
90	----	*Jack (J5), part of item 9
91	3205141Q01	Gasket, "O" Ring
92	4205140Q01	Clamp, Speaker
93	----	Not used
94	----	*Flex, Microphone; part of item 98
95	5005155Q03	Speaker (LS1)
97	----	*Boot, Microphone; part of item 98
98	0105956M62	Assembly, Microphone; includes: *Item 98 Microphone *Items 78, 94, 97, 98 and 103
99	7505564S01	Pad, Microphone Boot
100	1405141S01	Insulator, part of item 82
102	3505152J01	Felt, Speaker
103	2805250Q01	*Plug (P5), part of item 98
104	----	Antenna (See antennas supplied in this section)
105	----	Not used
106	----	*Sockets (J7), part of item 86
107	3905509R02	Contact, 3 req'd
108	0405534R01	Washer, Flat
109	----	Label, Instruction, part of item 82
110	----	Shield, I-F; includes item 111
111	1405496R01	Insulator, I-F Shield
112	3905130N01	Contact Strip
113	----	Shield
114	1405299Q01	Insulator, Speaker
115	0300136771	Screw, Phillips; 2-56 x 3/16"
116	----	Support, Rubber
117	7505501R02	Pad, Speaker
118	2605762R01	Shield, Controller Flex, part of item 9
121	0305103S01	Screw, Captive #4-40
123	7505501R03	Pad, Front Cover
124	2605123S01	Shield, Back
125	----	Label, Instruction; part of item 82
127	----	Assembly, Antenna Switch
133	----	Insulator, Buffer
135	0705168S01	Spacer, Connector
137	----	Assembly, Buffer Shield
138	----	Shield, Trimmer Pot
139	3905178S01	Contact, Front Cover
140	2605149S01	Shield, VCO Side
141	2605150S01	Shield, VCO Top
142	----	Insulator, Front Shield

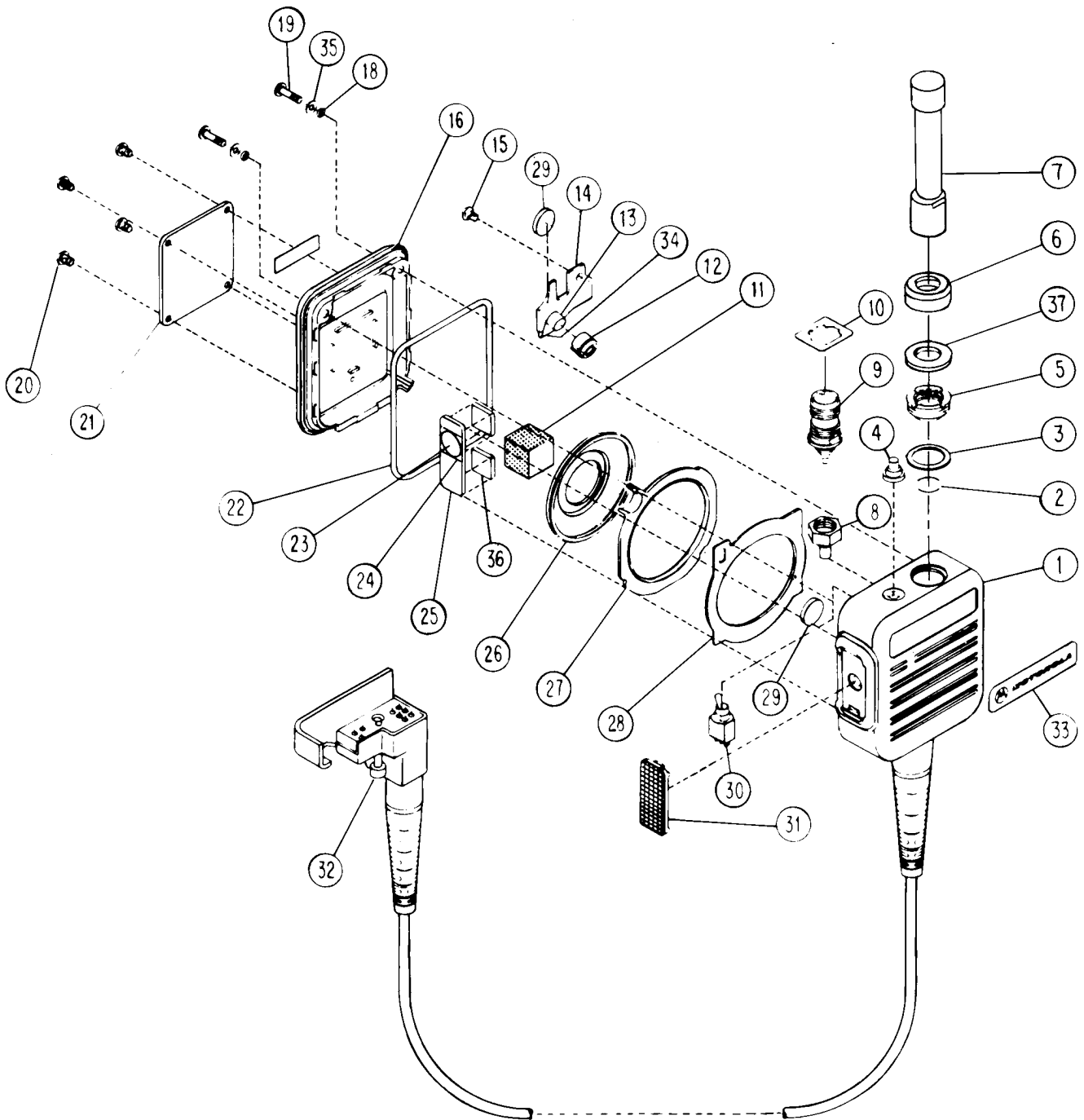
* NOTE: Refer to Electrical Parts List for part number and description.

* Not field replaceable, order parent ASSEMBLY.

**Cancelled Product P200:
Aftermarket support criteria has
been met for spare parts. Items
may no longer be available.**

P200 Series

Parts List

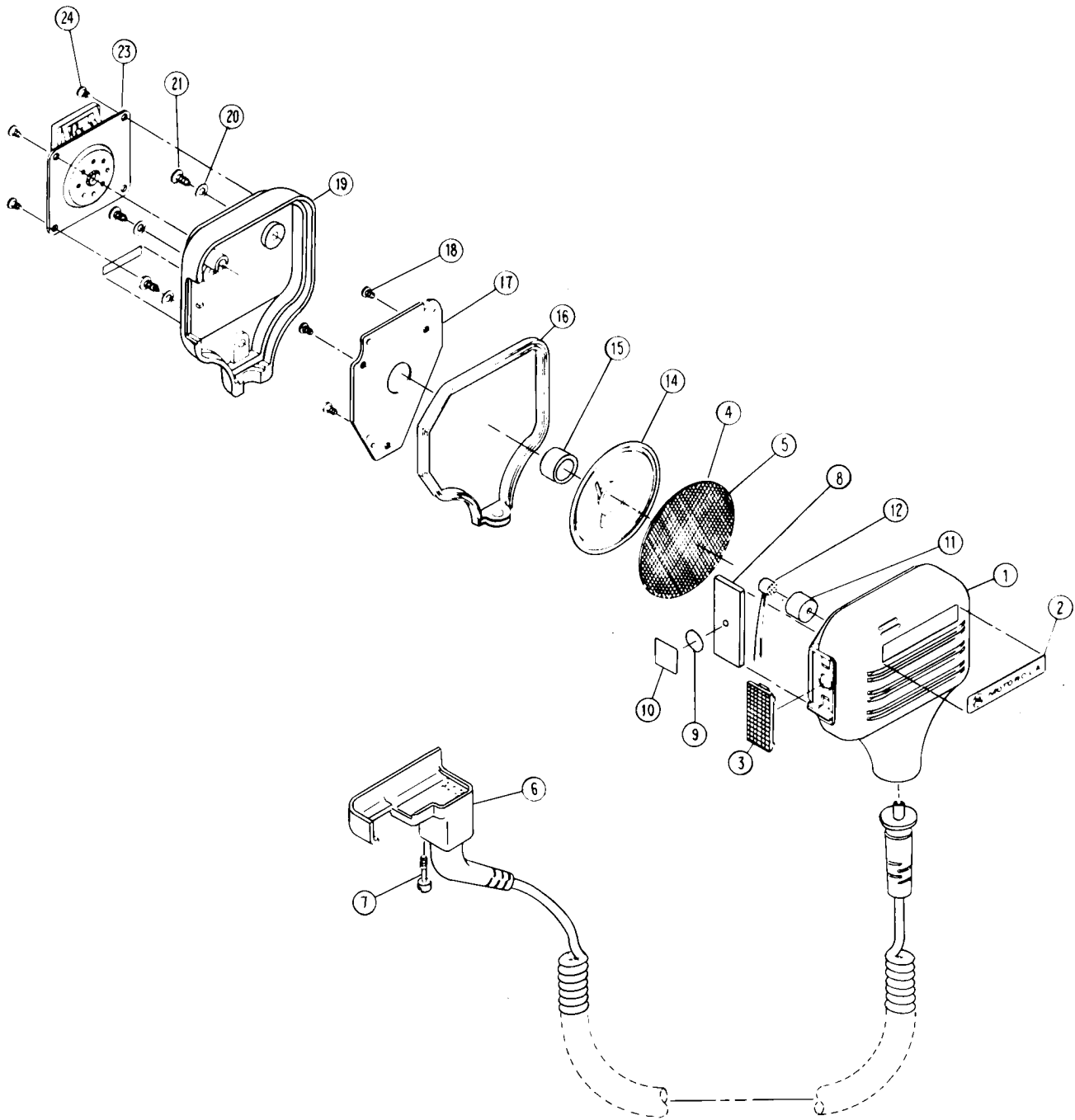


P200 Series

Parts List

Speaker Microphone Assembly NTN5559A

REF. NO.	PART NO.	DESCRIPTION	REF. NO.	PART NO.	DESCRIPTION	REF. NO.	PART NO.	DESCRIPTION
1	0105954P63	Assembly, Housing, Cable and Accessory Connector; includes items 28, 29, 31 and 32	8	0205541C01	Nut, Special	26	5005910P04	Speaker, (LS1)
2	3205082E69	Gasket, "O" Ring	9	0905261B01	Connector, RF	27	4305407R01	Spacer, Speaker
3	0405465C02	Washer, Plastic	10	0405327S01	Washer, Bearing	28	3205190R01	Pad, Seal
4	0205791P01	Nut, Toggle Seal	11	7582154D33	Pad, Speaker	29	7505136L03	Pad, Silicon Sponge (2 req'd)
5	0205326S01	Nut, Antenna	12	1405490Q01	Boot, Microphone	30	4005680K04	Switch, Toggle (S2)
6	3205325S01	Seal, Washer	13	5005227J02	Microphone (MK1)	31	4505211R03	Lever, PTT
7	8505355K03	Antenna (must be ordered separately)	14	0105954P68	Printed Circuit Board, Main	32	0305425R02	Screw, Captive
	8505355K04	Antenna (must be ordered separately)	15	0300139047	Screw, Cutting	33	3305269R01	Label, Nameplate
	8505309N11	Antenna (must be ordered separately)	16	0105955P12	Assembly, Cover	34	8405213S01	Printed Circuit, Flexible
			18	3205082E03	Gasket, "O" Ring (2 req'd)	35	0405465C01	Washer, Plastic (2 req'd)
			19	0382210E19	Screw, Cover-captive: #4-40 (2 req'd)	36	1405424D04	Insulator (2 req'd)
			20	0300139939	Screw, Pad Retainer (4 req'd)	37	0405910D01	Washer, Insulator
			21	7505385P01	Pad, Hook			
			22	3205082E63	Gasket, "O" Ring			
			23	3905834K07	Dome, PTT (S1)			
			24	3205264L06	Seal, PTT			
			25	8405296R02	Printed Circuit Board, PTT			

P200 Series*Parts List*

P200 Series

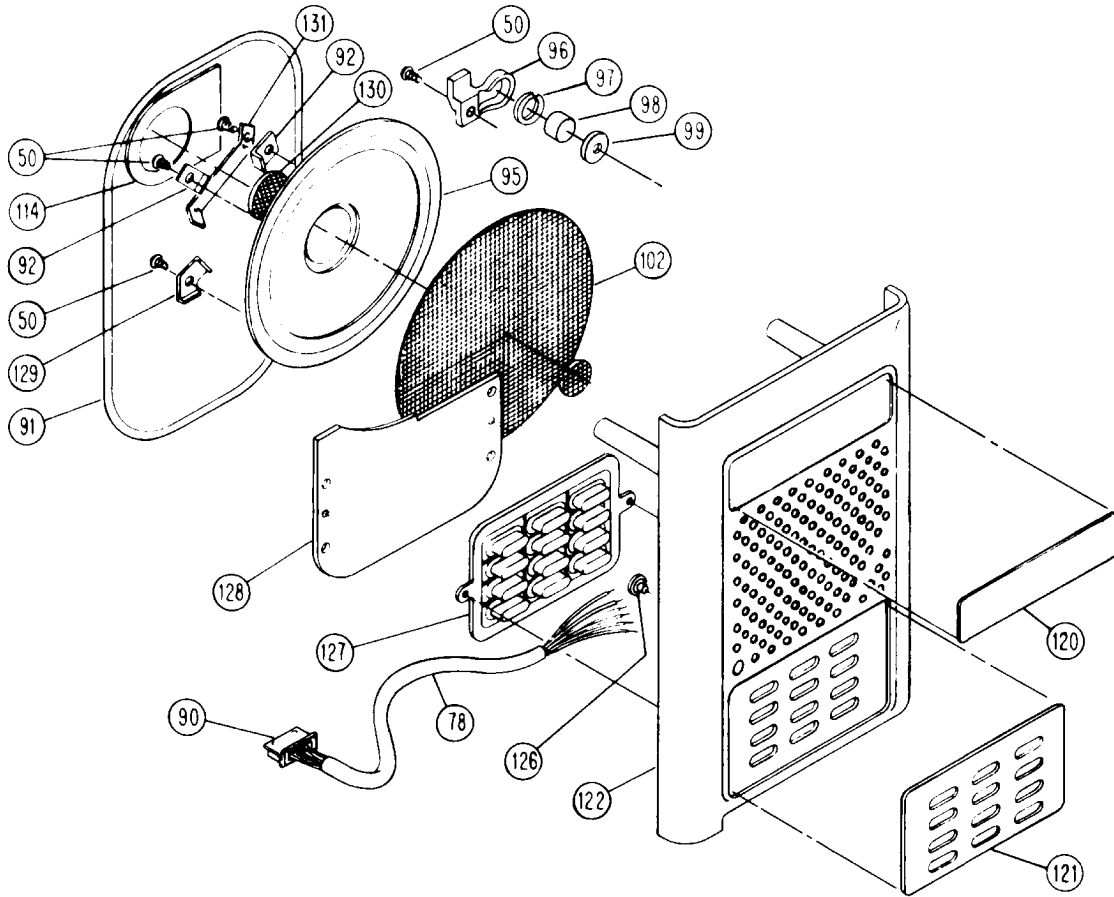
Parts List

Speaker Microphone Assembly NTN6153A

REF. NO.	PART NO.	DESCRIPTION	REF. NO.	PART NO.	DESCRIPTION	REF. NO.	PART NO.	DESCRIPTION
1	0102701J97	Assembly, Front Housing; includes items 1 thru 5	9	3905834K04	Switch, Snap Dome Contact (S1)	19	1505172Q01	Housing, Back
2	3305259Q01	Nameplate, Motorola	10	3205231Q01	Seal, Dome	20	0484345A06	Washer, Seal, 3 used
3	4505182Q01	Lever, PTT	11	1405219Q01	Boot, Microphone	21	0305137Q02	Screw, Phillips, 3 used
4	3505152J01	Grille, cloth	12	0105953N48	Assembly, Microphone (MK1); includes items 11 and 12	23	0105959N54	Assembly, Belt Clip; includes items 23 and 24
5	1105461R01	Adhesive	13	----	Not used	24	0300139444	Screw, Phillips; 2-56 x 5/32", 4 used
6	NKN6416B	Assembly, Cable and Connector; includes items 6 and 7	14	5005910P04	Speaker (LS1)			
7	0305425R01	Screw, Captive	15	7505283Q02	Pad, Speaker			
8	0105953N46	Assembly, Printed Circuit Board; includes electrical components	16	3205690R01	Gasket			
			17	6405689R01	Plate, Housing Mounting			
			18	0300139444	Screw, Phillips, 2-56 x 5/32", 3 used			

P200 Series

Parts List



P200 Series

Parts List

DTMF FRONT COVER NTN5554A, NTN5555A, NTN5553A

REF. NO.	PART NO.	DESCRIPTION	REF. NO.	PART NO.	DESCRIPTION	REF. NO.	PART NO.	DESCRIPTION
50	0300139444	Screw, #2-56 x 5/32"	99	7505564S01	Pad, Microphone	131	3905178S01	Contact, Front Cover
78	3700132526	Tube, Heat-shrink	102	3505152J01	Felt, Speaker	132	0405179S01	Washer
90	2805250Q02	Connector, 6-pin (P5)	114	1405299Q01	Insulator, Speaker			
91	3205141Q01	"O" Ring, Front Cover	120	1305540S03	Nameplate, Front			
92	4205140Q01	Clamp, Speaker	121	1305728R02	Escutcheon			
95	5005155Q03	Speaker	122	----	*Front Cover			
96	4202036J01	Retainer, Microphone	126	----	*Switch, Actuator			
97	----	Not used	127	----	*Switch, Keypad			
98	5013920A01	Microphone	128	----	*Circuit Board			
	1405299L02	Boot	129	0705456R01	Bracket, Speaker/PCB			
	7505564S02	Pad	130	7505501R02	Pad, Speaker			

**Not field replaceable.*

Order applicable DTMF Front Cover Kit: NTN5554A, NTN5555A or NTN5553A.

P200 Series

Portable Accessories

Chargers

Single Unit

NTN5538C Rapid Charger

NTN5540B

Compact Charger



NTN5538C

Multi-Unit



NTN4668C

NTN4668C Six Unit Rapid Rate Charger

NLN7967A Wall Mount for Six Unit Charger



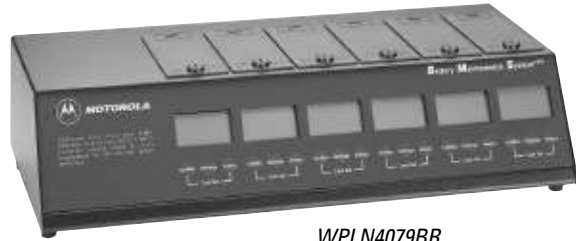
NLN7967A

Battery Maintenance System^{plus} (BMS^{plus})

Using interchangeable battery adapters (sold separately), the BMS^{plus} is capable of charging and discharging, analyzing, conditioning and cycle test on batteries; tracking battery voltage and capacity (mAh). The BMS^{plus} offers a 3 year warranty. Its easy-to-use design supports hundreds of 2-way, cellular, and camcorder batteries with printer port* (Serial-RS-232C port – uses female 9-pin to male 25-pin cable).

WPLN4079BR Six-Station, 110V AC, 50/60 Hz

WPLN4080BR Six-Station, 230V AC, 50/60 Hz



WPLN4079BR

BMS^{plus} Adapter

TDN9441A Standard Adapter, P200

*Compatible with the STAR Micronics SP200 series printers, available from any STAR Micronics distributor, and other printers with STAR emulation.

P200 Series

Portable Accessories

Battery Optimizing System II (BOS II)



WPLN4124AR

No other battery analyzer matches the speed, accuracy, and versatility of the Battery Optimizing System II. Ideal for large fleet, public safety, and all other users who rely on their battery performance. Now with increased power, more sophisticated programming options, and easier to use navigation paths, optimizing your batteries was never easier. Key features include:

- Support for NiCd, NiMH, Li-ion, and SLA batteries
- 100 watt power supply and programmable from 100 mA to 4 amps per station
- Interchangeable adapters accommodate all major brands
- Includes a variety of user programs and allows for customizable programming
- Proprietary recondition cycle restores NiCd and NiMH batteries
- Increased processing power and testing resolution – including a three minute Quicktest that measures the batteries State of Health (SoH)
- Printer output for reports and labels
- Three year warranty

WPLN4124AR BOS II, Four-Station, 100-240V AC (US line cord)

WPLN4125AR BOS II, Four-Station, 100-240V AC (UK/Euro line cords)

BOS II Adapter

RL-71163 Standard Adapter, P200

Motorola Conditioning Charger (MCC)



WPPN4009BR

The MCC will help extend battery life and enhance battery operation. It will safely condition and charge your specified Nickel Cadmium (NiCd) and Nickel Metal Hydride (NiMH) batteries in approximately an hour.

WPPN4009BR 110V AC Base Charge Unit with adapter plates

3080384G15 Cigarette Lighter Adapter Cord

RLN4814A Mounting Bracket for single unit conditioning chargers

P200 Series

Portable Accessories

Carrying Accessories

Carrying Cases

A variety of carrying accessories are available for your comfort and convenience. The carrying cases are available in sizes designed to fit your radio & battery and permit audio to be heard clearly.

Swivel

NTN5450B Leather Carry Case, DTMF Access for High Capacity or Alkaline Batteries

NTN549A Leather Carry Case, for Medium Capacity Batteries

NTN5461B Leather Carry Case, for High Capacity or Alkaline Batteries



NTN5450B



NTN5460B

Standard

NTN5548A Leather Carry Case with Belt Loop for Medium Capacity Batteries

NTN5460B Leather Carry Case with Belt Loop for High Capacity or Alkaline Batteries

Carry Holder

NTN4814C Urethane Carry Holder with Attached Belt Clip



NTN4814C

T-Straps

4205386S01 T-Strap for Velcro Carry Cases

4205386S03 T-Strap, Snap

4205447R03 T-Strap for Belt Clip Carry Holder, Snap



4205386S01

NTN5243A Carry Case Shoulder Strap

Carrying Accessories

4305525R02 Spacer for use with Medium Capacity Batteries in Large Carry Cases



4305525R02

Belt Clip

NTN5533A 3" Belt Clip



NTN5533A

Swivel Belt Loop

4205857B01 2" Swivel Belt Loop



4205857B01

Belt

4200865599 1.75" wide leather belt



NLN8410A

NLN8410A Velcro Pin Patch Attachment for use with Public Safety Remote Speaker Mic

Universal Carry Accessories

HLN6602A Universal Chest Pack with Radio Holder, Pen Holder and Velcro Secured Pocket



HLN6602A

1505596Z02 Replacement Strap for HLN6602

RLN4815A Universal RadioPAK™ with Radio Holder. Worn around waist with adjustable belt. Includes attached 6" by 8" zippered pouch for other job necessities

4280384F89 Universal RadioPAK™ belt lengthener; fits waists larger than 40"

RLN4570A Break-A-Way Chest Pack; all of the same features as the original chest pack (HLN6602A) plus break-a-way tabs that allow that allow the entire pack to be pulled off with approximately 10 lbs of pressure.

P200 Series

Portable Accessories

Carrying Accessories



TDN9327A

Portable Radio Hanger

The portable radio hanger slides over and hangs from the door panel in a vehicle. The radio's belt clip slides onto the portable hanger allowing convenient, easy mounting.

TDN9327A Portable Radio Hanger for Door Panels up to 2-3/4"

TDN9373A Portable Radio Hanger for Door Panels 2-3/4" to 3-1/4"

Audio/Signalling Accessories

Audio and Signalling Accessories

NSN6008A Lapel Speaker
(Requires both Adapters)

ZMN6032A Surveillance Microphone, PTT Earpiece (Requires NTN5560C)

5083693B01 Earpiece with Volume Control
(Requires NTN5557A)

5005178K01 Earpiece without Volume Control (Requires NTN5557A and 5880378B84 When Not Used with NMN6145B)

NTN5557A Earphone Jack Adapter

NTN5557A



5880378B84 2.5mm to 3.5mm Jack Adapter

NTN5560C Audio Accessory Adapter, Hirose

NSN6008A



5005178K01



NTN5560C



Audio/Signalling Accessories



NMN6156B

NMN6156B Remote Speaker Microphone

NMN6145B Remote Speaker Microphone with Earpiece Jack

5005178K01 Receive-only Earpiece (for use with NMN6145B)

NTN5554A DTMF Standard Tone Retrofit Kit

Epaulet Strap

Black leather epaulet straps secure remote speaker microphones to epaulet of shirts or jackets and attach around cord. Allows reliable communications in hostile environments with Velcro or clip style strap.

RLN4294A Epaulet Strap, Velcro

RLN4295A Epaulet Strap, Small Clip



RLN4294A



RLN4295A

Ear Microphone System

This compact unit picks up the voice through bone vibrations in the ear canal. Ideal for use in high noise environments. Available in PTT or Voice-activated (VOX) capabilities for total hands free communications.

Order Interface Module separately.

BDN6677A Ear Microphone for Standard Noise Levels (up to 95 db), Black

BDN6678A Ear Microphone for Standard Noise Levels (up to 95 db), Beige

BDN6641A Ear Microphone for High Noise Levels (up to 105 db), Grey



BDN6677A

P200 Series



Portable Accessories

Audio/Signalling Accessories

Interface Module

BDN6656B Push-To-Talk Interface Module

BDN6657B Voice-Activated Interface Module

Optional Accessories

0180358B38 Remote Push-To-Talk Ring Switch

0180300E83 Remote push-to-talk body switch

0180300E25 Earguard with Adjustable Loop



0180358B38



0180358B83



0180358B33

0180358B32 Earholder, Black, Size Small

0180358B33 Earholder, Black, Size Medium, secures ear mic in ear

0180358B34 Earholder, Black, Size Large, secures ear mic in ear

0180358B35 Earholder, Clear, Size Small, secures ear mic in ear

0180358B36 Earholder, Clear, Size Medium, secures ear mic in ear

0180358B37 Earholder, Clear, Size Large, secures ear mic in ear

4280369E44 Replaceable Belt Clip with Screws

5080358B28 Eartips, Black, Size Medium (10 per pack)

5080358B29 Eartips, Black, Size Large (10 per pack)

5080358B30 Eartips, Beige, Size Medium (10 per pack)

5080358B31 Eartips, Beige, Size Large (10 per pack)

Audio/Signalling Accessories

Headsets

Heavy duty headsets include Noise-Cancelling Microphones and can be worn with or without a hardhat. Headsets are for use in noise levels up to 125 dB. The Push-To-Talk switch is located on the earcup. The Vox module is contained within the headset on voice activated units. Heavy duty headsets require radio adapter cable.

BDN6645A Push-To-Talk Headset with Boom Microphone, Requires Adapter Cable



BDN6645A
(Shown with adapter cable BDN6673B)



BDN6635B
(Shown with adapter cable BDN6673B)

BDN6635B Voice-Activated Headset with Boom Microphone, Requires Adapter Cable

BDN6636B Voice-Activated Headset with Throat Microphone, Requires Adapter Cable



BDN6636B
(Shown with adapter cable BDN6673B)

BDN6673B Radio Adapter Cable

P200 Series

Portable Accessories, Antennas

Audio/Signalling Accessories

Lightweight Headset

RMN4015A Lightweight Headset with Swivel Boom Microphone, Single Speaker and In-line PTT

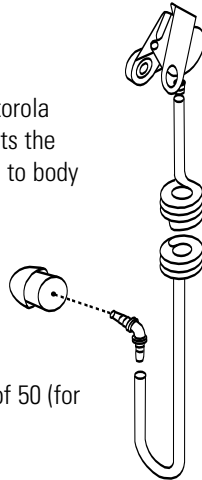
Noise Kits

Lightweight translucent tube attaches to Motorola surveillance accessories. Clothing clip prevents the accessory from being pulled from the ear due to body movement or head rotation.

NTN8370A Extreme Noise Kit, includes 2 foam earplugs for loud environments

NTN8371A Low Noise Kit, includes rubber eartip for low noise environments

5080384F72 Replacement Foam Plugs. Pack of 50 (for use with NTN8370A)



NTN8371A

Clear Comfortable Earpiece

The clear comfortable earpiece forms to the inside of your ear and is perfect for low noise environments. Compatible with the NTN8371A, clear acoustic tube assembly, and most surveillance kits (1-, 2- and 3-wire). This earpiece is made of easy-to-clean chemically inert, hypoallergenic material.

There are 3 items needed to make this product work:

1. Clear Comfortable Earpiece
2. Clear Acoustic Tube Assembly (NTN8371A)
3. Surveillance Kits

RLN4760A Small Custom Earpiece, right ear

RLN4763A Small Custom Earpiece, left ear

RLN4761A Medium Custom Earpiece, right ear

RLN4764A Medium Custom Earpiece, left ear

RLN4762A Large Custom Earpiece, right ear

RLN4765A Large Custom Earpiece, left ear



RLN4763A

RLN4760A

Portable Antennas

Heliflex Antennas

Motorola Heliflex antennas are specifically engineered for maximum output and greatest communication coverage.

8505816K22

Heliflex Molded, 136-150.8MHz, 6.5"

8505816K21

Heliflex Molded, 150.8-162MHz, 6"

8505816K23

Heliflex Molded, 162-174MHz, 6"

8505816K24

Heliflex Molded, 403-430MHz, 3"

8505816K25

Heliflex Molded, 440-470MHz, 3"

8505816K26

Heliflex Molded, 470-512MHz, 3"

8505309N09

Antennas for public safety microphones-400-440 MHz

8505309N10

Antennas for public safety microphones- 440-470 MHz

8505309N11

Antennas for public safety microphones- 470-512 MHz



8505816K22



8505816K23



8505816K24

P200 Series

Batteries, Service Tools

Portable Batteries

Nickel-Cadmium Premium

Part Number: **NTN5521B**
 Volts: 10
 Avg. mAh: 1100
 Height: 3-5/16"
 Intrinsically Safe: No



NTN5521B

Part Number: **NTN5531B**
 Volts: 10
 Avg. mAh: 630
 Height: 2-7/16"
 Intrinsically Safe: No



NTN5531B

Part Number: **NTN5545B**
 Volts: 10
 Avg. mAh: 1000
 Height: 3-5/16"
 Intrinsically Safe: Yes



NTN5545B

Service Tools

RSX4043A Adjustable Torque Screwdriver (Order Bits Separately)



RSX4043A

6680371B34 Spanner Tool Bit, for Antenna Bushing Nut

6680371B03 Nut Driver Bit, for Volume and rotary Switch Nuts

6680370B95 Spanner Tool Bit, for Toggle Switch Nut

6680321B79 Phillips Power Bit #1, for Radio Screws

6680321B86 Phillips Bit #0, for Radio Screws

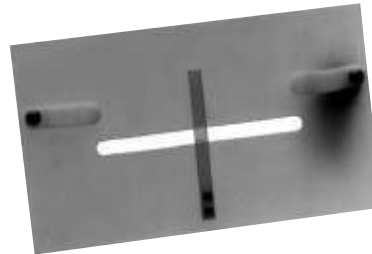


6680321B86

Control Flex Hold Down Fixture

Provides a secure mount for the Radius P200 controller flex when removing and replacing I.C. Chip Carriers and components using the Surface Mount Service Center.

0180371B37 Controller Flex Hold Down Fixture



0180371B37

Radio Interface Box

Links radio programming cable and computer interface together. Provides required voltage shift to enable communications between radio and computer.



RLN4008E

RLN4008E Radio Interface Box

Programming Cable

Connects radio interface box to radio for programming.

0180358A62 Programming Cable

P200 Series

Service Aids, Manuals

Service Aids



0180357A57

Wall Mounted Power Supply

Used to supply power to radio interface box, RLN4008E

0180357A57 Wall Mounted Power Supply, 110 Volts

0180358A56 Wall Mounted Power Supply, 220 Volts

RF Adapter Cable

Connect radio RF directly to test equipment.

RKN4000A RF Adapter Cable Terminated with BND Female, Opposite End Fits Antenna on Radio



RKN4000A

Cloning Cable

NKN6376A Allows a P200 radio to be duplicated from a master radio by transferring programmed data from one radio to another

Controller Flex Extender Fixture

REN4000A Eases in troubleshooting of controller flex and RF board

Reference Oscillator Tuner Box

RPX4726A Tuning the Alternate Oscillator for low band



RTL4226B

Battery Eliminator

RTL4226B Interconnects radio to power supply

Service Aids

Battery Adapter

1580368B62 Connects radio to battery eliminator without main housing

Radio Text Cable

Interconnects the radio with RTX4005B radio test set.

RTK4205C Test Cable Used with RTX4005B

Radio/Computer Interface Cable

Used to connect computer's serial port to Radio Interface Box.

3080369B71 Cable, RIB to 25 pin D

3080369B72 Cable, RIB to 9 pin D



3080369B71

Programming Software

Utilizing your personal computer, this software enables you to add/or reprogram frequencies as your requirements change. Compatible with IBM XT, At Model 30, 50, 60, and 80. Requires Radio Interface Box and proper cables, order separately.

RVN4134B Programming Software (includes manual and storage box)

Manuals

6881059C25 146-174 MHz

6881059C30 403-470 MHz

0180305J46 Ear Microphone System and Temple Transducer CD-ROM