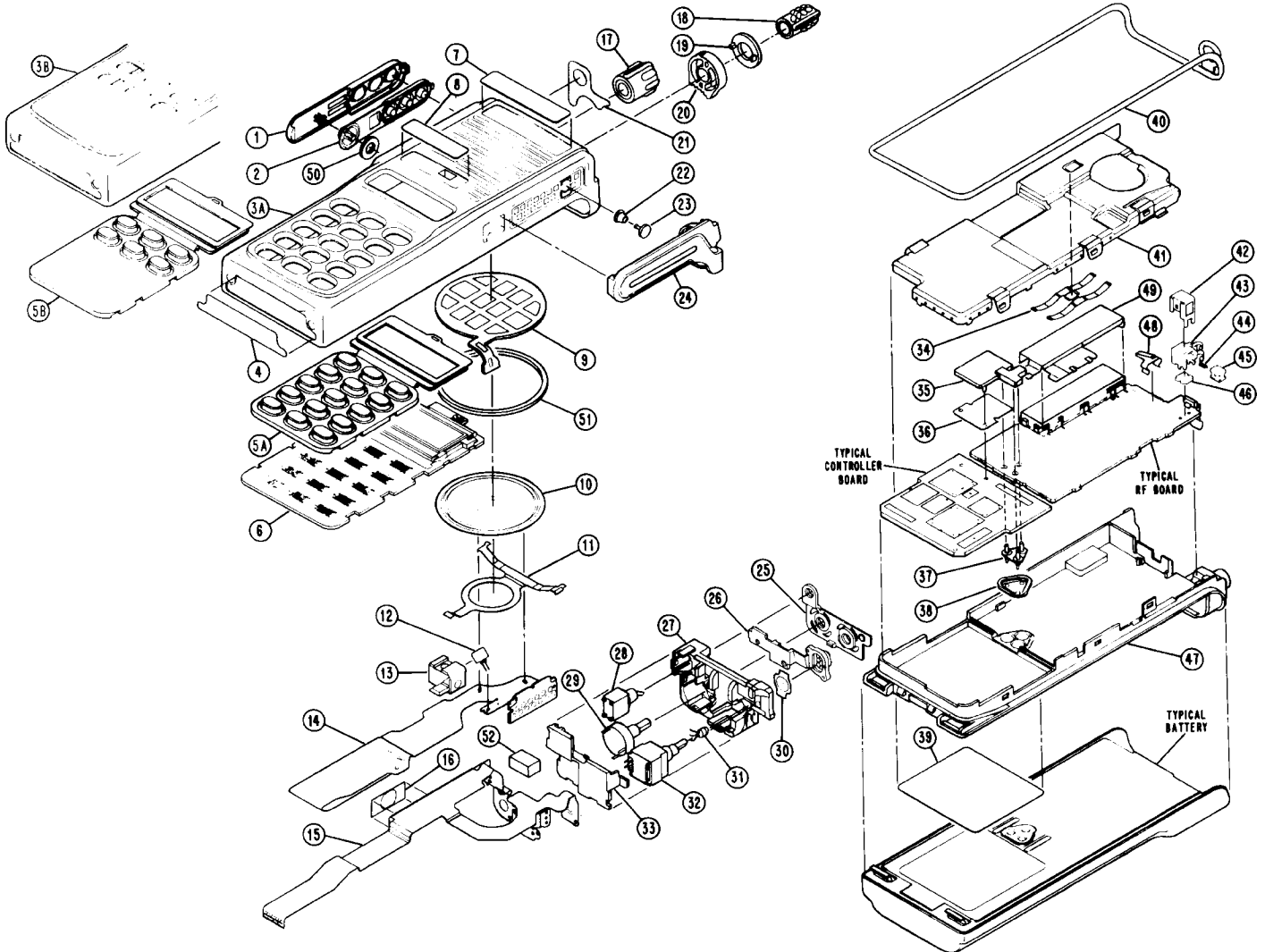


# MT2000 Series

## Parts List



# MT2000 Series

## Parts List

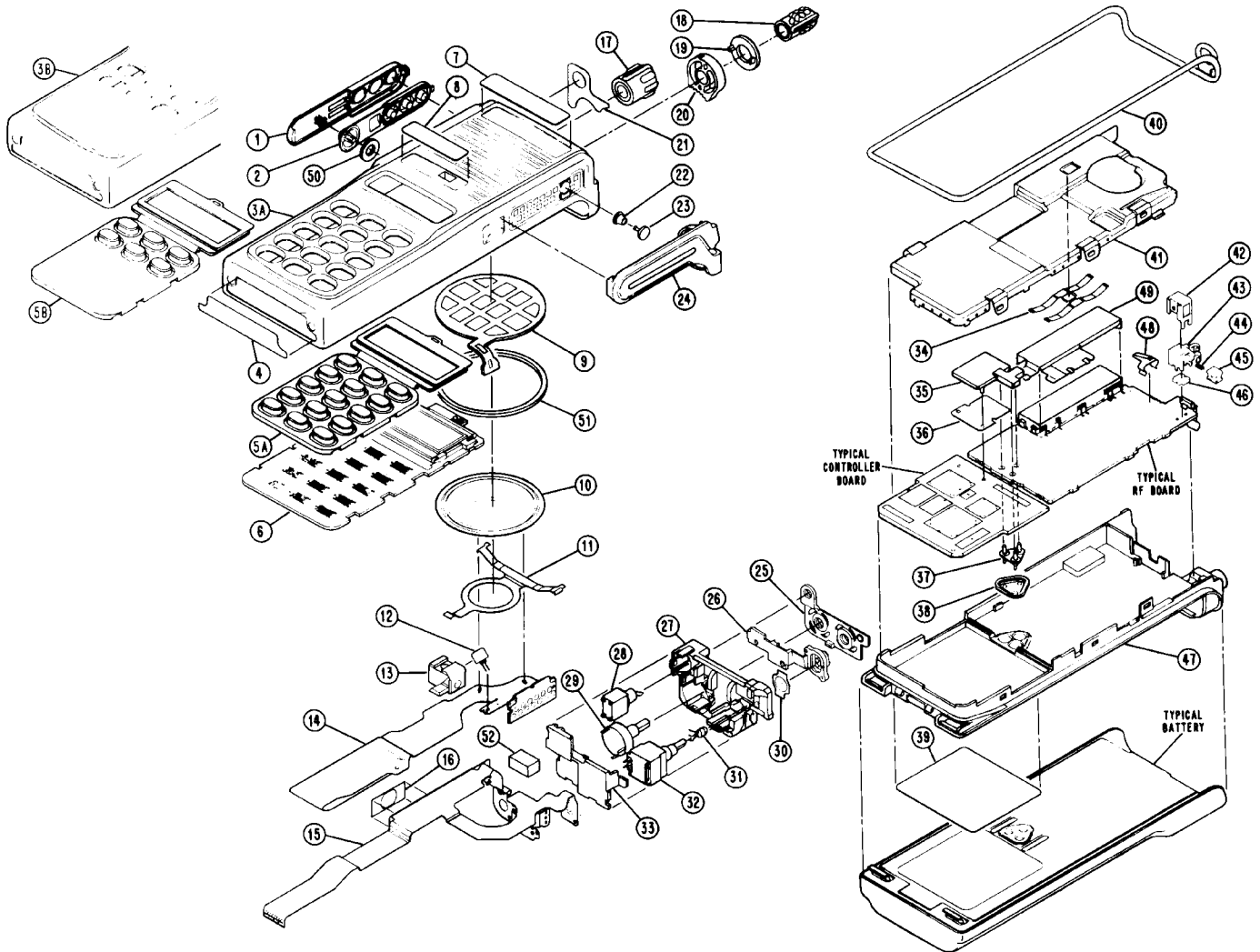
REF. NO.	PART NO.	DESCRIPTION	REF. NO.	PART NO.	DESCRIPTION
1	<b>4505896U02</b>	Lever, PTT	30	<b>3905329W01</b>	Popples, Emergency Button
2	<b>3205902U01</b>	Seal, PTT, and Actuator for S404, S405, S406 and S408	31	See Note 1	LED (CR702A/CR702B) – not available
3A	<b>1505637V04</b>	Cover, Front; Full Keypad	32	See Note 1	Switch, Frequency (S401) – not available
3B	<b>1505627V04</b>	Cover, Front; Limited Keypad	33	<b>1505632V01</b>	Cover, Switch Housing
4	----	Label, Agency Approval; not field replaceable	34	----	Spring, PA; not field replaceable, order front shield
5A	<b>7505870U01</b>	Keypad, 15-key	35	<b>4205507X01</b>	Strain Relief
5B	<b>7505870U02</b>	Keypad, 6-key	36	<b>8405247V01</b>	FLEX, Jumper
6	<b>5105238U83</b>	Module, Display	37	See Note 2	Plug, Connector, (P404) – not available
7	<b>3305183R55</b>	Label, Motorola	38	<b>3205820V01</b>	Seal, Connector Plug
8	<b>3305183R70</b>	Label, MT2000	39	----	Label, Rear; Information; not field replaceable
9	<b>3505535X02</b>	Felt, Speaker	40	<b>3205176Z01</b>	“O” Ring, Contoured/Seal, Antenna
10	See Note 1	Speaker (LS401) – not available	41	<b>2605891U03</b>	Shield, Front – item cancelled
11	<b>0705470V01</b>	Bracket, Speaker Retainer	42	<b>4005831W01</b>	Bracket, RF Switch
12	See Note 1	Microphone (MK401) – not available	43	----	Housing, RF Switch
13	<b>1405330W02</b>	Boot, Microphone	44	<b>4105266V01</b>	Spring, RF Switch
14	<b>8405310W04</b>	FLEX, Front Cover/Display	45	----	Piston, RF Switch
15	<b>8405333W03</b>	FLEX, Controls	46	----	Circuit Board, RF Switch
16	<b>3905517V01</b>	Popples, PTT (p/o S406)	47	<b>1505892U06</b>	Chassis (Rear Cover)
17	<b>3605253V01</b>	Knob, On/Off/Volume	48	<b>3905838V01</b>	Contact, Antenna Shield Ground (800 MHz and 900 MHz radios only)
18	<b>3605636V01</b>	Knob, Frequency	49	<b>2605898U01</b>	Shield, PA (800 MHz and 900 MHz radios only)
19	<b>1305633V01</b>	Ring, Concentric; Escutcheon	50	<b>0405717W01</b>	Washer, PTT Seal
20	<b>3605635V01</b>	Knob, Concentric Ring	51	----	Spacer, Speaker – not available
21	<b>1305698V01</b>	Escutcheon, Control Top	52	<b>7505393N33</b>	Pad, Shock
22	<b>3205160W01</b>	Seal, Actuator; for S101			
23	<b>2205159W01</b>	Pin, Actuator; for S101			
24	<b>3205514W01</b>	Seal, Accessory Connector			
25	<b>3205177Z01</b>	Seal, Control Top			
26	<b>3205178Z01</b>	Seal, Emergency Button			
27	<b>2705877U01</b>	Housing, Switch			
28	See Note 1	Switch, Toggle (S402) – not available			
29	See Note 1	Potentiometer/Switch, On/Off/Volume Control (R401/S403) – not available			

**NOTES:**

1. Refer to electrical parts list (miscellaneous) for part number and complete description.
2. Refer to electrical parts list (transceiver board) for part number and complete description.

# MTS2000 Series

## Parts List



# MTS2000 Series

## Parts List

REF. NO.	PART NO.	DESCRIPTION	REF. NO.	PART NO.	DESCRIPTION
1	<b>4505896U02</b>	Lever, PTT	26	<b>3205177Z01</b>	Seal, Emergency Button
2	<b>3205902U01</b>	Seal, PTT, and Actuator for S404, S405, S406, and S408	27	<b>2705877U01</b>	Housing, Switch
3A	<b>1505637V04</b>	Cover, Front; Full Keypad	30	<b>3905329W01</b>	Poppet, Emergency Button
3B	<b>1505637V05</b>	Cover, Front; Limited Keypad	33	<b>1505632V01</b>	Cover, Switch Housing
4	----	Label, Agency Approval; not field replaceable	34	----	Spring, PA; not field replaceable, order front shield (item 41)
5A	<b>7505870U01</b>	Keypad, 15-key	35	<b>4205507X01</b>	Strain Relief
5B	<b>7505870U02</b>	Keypad, 6-key	36	<b>8405247V01</b>	FLEX, Jumper
6	<b>5105238U83</b>	Module, Display	38	<b>3205820V01</b>	Seal, Connector Plug
7	<b>3305183R55</b>	Label, Motorola	39	----	Label, Rear; Information; not field replaceable
8	<b>3305409X05</b>	Label, MTS2000	40	<b>3205176Z01</b>	"O" Ring, Contoured/Seal, Antenna
9	<b>3505535X02</b>	Felt, Speaker	41	<b>2605891U03</b>	Shield, Front – item cancelled
11	<b>0705470V01</b>	Bracket, Speaker Retainer	42	<b>4005831W01</b>	Bracket, RF Switch
13	<b>1405330W02</b>	Boot, Microphone	43	----	Housing, RF Switch
14	<b>8405310W04</b>	FLEX, Front Cover/Display	44	<b>4105266V01</b>	Spring, RF Switch
15	<b>8405333W03</b>	FLEX, Controls	45	<b>4405524V01</b>	Piston, RF Switch
16	<b>3905517V01</b>	Poppet, PTT (p/o S406)	46	----	Circuit Board, RF Switch
17	<b>3605253V01</b>	Knob, On/Off/Volume	47	<b>1505892U06</b>	Chassis (Rear Cover)
18	<b>3605636V01</b>	Knob, Frequency	48	<b>3905838V01</b>	Contact, Antenna Shield Ground (800 MHz and 900 MHz radios only)
19	<b>1305633V01</b>	Ring, Concentric; Escutcheon	49	<b>2605898U01</b>	Shield, PA (800 MHz and 900 MHz radios only)
20	<b>3605635V01</b>	Knob, Concentric Ring	50	<b>0405717W01</b>	Washer, PTT Seal
21	<b>1305698V01</b>	Escutcheon, Control Top	52	<b>7505393N33</b>	Pad, Shock
22	<b>3205160W01</b>	Seal, Actuator; for S101			
23	<b>2205159W01</b>	Pin, Actuator; for S101			
25	----	Seal, Control Top – not available			

## MT2000/MTS2000 Series



## Portable Accessories

### Chargers

Single unit chargers are available in either desktop or compact styles for small system users. Multiple unit chargers can be wall or rack mounted and are ideal for multi-shift operations. All chargers are specifically designed to meet the requirements of batteries manufactured by Motorola. All chargers listed are rapid rate and will fully charge your battery in less than 3 hours.

#### **Single Unit Compact Bi-Chemistry Chargers – Rapid Rate**

The bi-chem charger has the power supply built into the line cord giving the user a smaller base unit for easier storage. It also utilizes an enhanced charging algorithm that will help maximize the life of your batteries. It will rapid rate charge both NiCd and NiMH batteries.

**RPX4747A** Compact Bi-Chem Charger, 110V

**RPX4748A** Compact Bi-Chem Charger, 230V Euro plug

**RPX4749A** Compact Bi-Chem Charger, 230V UK plug

### Chargers

#### **Multiple Unit Charger (MUC)**

Multi-unit chargers offer six pockets that can be used to rapid charge 1 to 6 batteries simultaneously. The batteries can be charged with the radios or separately. They will rapid rate charge both NiCd and NiMH batteries.



NTN1177D

**NTN1177D** Six-Pocket, rapid rate 110V

**NTN1178D** Six-Pocket, rapid rate, 220V (supplied with 2 prong cord)

**NTN1179D** Six-Pocket, rapid rate, 240V (supplied with 3-flat prong cord)

#### **MUC Accessories**

**NLN7967A** Wall Mount

#### **Vehicular Charger**

This 12V DC charger is ideal for mobile customers. It charges portable radio NiCd batteries in rapid charge mode (in less than 3 hours) until full charge is obtained and then switches to trickle charge mode. A microprocessor controls the charge rate: this durable unit comes with a metal mounting bracket and is PAC-RT compatible.



TDN9816A

**TDN9816A** Vehicular Charger

# MT2000/MTS2000 Series

## Portable Accessories

### Chargers

#### Vehicular Travel Charge

A great traveling companion that ensures constant communication while on the road.

Allows the battery to rapid charge while using the radio; users can receive communication immediately once the charger is connected, and transmit from a previously "dead" battery in just 5 minutes. This light and compact unit includes a voltage regulated lighter adapter, custom charger base, mounting bracket, and coil cord. Ideal for public safety, utility and construction markets.



RLN4884B

**RLN4884B** Vehicular Travel Charger

#### Travel Charger AC Transformer

Travel charger AC transformer adapts onto the cigarette lighter adapter cord to allow it to be plugged into an AC wall outlet for indoor use

**2580600E05** Transformer 120V (US)

**2580600E06** Transformer 230V (Euro)

**2580600E07** Transformer 230V (U.K.)

**2580600E08** Transformer 220V (Argentina)

#### Travel Charger Mounting Bracket

**0780384K84** Universal Mounting Bracket for Travel Charger. Includes screws and nylon cord.

### Motorola Conditioning Charger (MCC)

The MCC utilizes negative pulse charging technology that will help extend battery life and enhance battery operation. It will safely condition and charge your specified NiCd and NiMH batteries in approximately an hour. The MCC controls heat buildup due to its charging and termination algorithms and maintenance mode allows batteries to be safely left on the charger for extended periods of time. And now there is an Instant Fault Detection (IFD) feature which detects faulty radio batteries in seconds, which notifies the user that the battery will not operate at peak performance. Optional accessories are available allowing these chargers to be used in both AC and DC environments providing optimal charging flexibility.

**WPPN4002BR** 110V AC Base Charge Unit Only (order adapter plate separately)

**WPPN4006AR** 220V AC Base Charge Unit Only (order adapter plate separately)

**WPPN4065BR** Multi-Unit Conditioning Charger Four Station Base 110V (order adapter plate separately)

**WPPN4004BR** 7 Volt Adapter Only

**WPLN4090BR** MCC Kit, 110V AC; includes both base unit and 7V adapter

**WPLN4091BR** MCC Kit, 220V AC; includes both base unit and 7V adapter

**3080384G15** Cigarette Lighter Adapter Cord; MCC multi-unit conditioning charger

**RLN4814A** Vehicular Mounting Bracket for single unit Motorola Conditioning Charger

**3080384M21** DC Hard Wire Cable, for vehicular installation (included in RLN4814A)



WPPN4002BR

## MT2000/MTS2000 Series

### Portable Accessories

#### Battery Maintenance System<sup>plus</sup> (BMS<sup>plus</sup>)

##### Increase the useful life of your batteries.

Using interchangeable battery adapters (sold separately), the BMS<sup>plus</sup> is capable of charging and discharging, analyzing, conditioning and cycle test on batteries; tracking battery voltage and capacity (mAh).

The BMS<sup>plus</sup> offers a 3 year warranty. Its easy-to-use design supports hundreds of 2-way, cellular, and camcorder batteries with printer port\* (Serial-RS-232C port – uses female 9-pin to male 25-pin cable).

**WPLN4079BR** Six-Station, 110V AC, 50/60 Hz

**WPLN4080BR** Six-Station, 230V AC, 50/60 Hz

**WPPN4085AR** BMS<sup>plus</sup> field Upgrade Kit or WPLN4079AR, WPLN4080AR, and WPLN4081AR; allows these units to support Li-ion battery chemistries

**NDN4005B** Three-Station, 110V AC 50/60 Hz (does not support Li-ion or 3-cell batteries)

**NDN4006B** Three-Station, 230V AC 50/60 Hz (does not support Li-ion or 3-cell batteries)



WPLN4079BR



TDN9435C

#### **BMS<sup>plus</sup> Adapter**

**TDN9435C** Adapter Compatible with NiCd Batteries Only

**CDN6364A** Adapter Compatible with Both NiCd and NiMH Batteries

#### Battery Optimizing System II (BOS II)



WPLN4124AR

No other battery analyzer matches the speed, accuracy, and versatility of the Battery Optimizing System II. Ideal for large fleet, public safety, and all other users who rely on their battery performance. Now with increased power, more sophisticated programming options, and easier to use navigation paths, optimizing your batteries was never easier. Key features include:

- Support for NiCd, NiMH, Li-ion, and SLA batteries
- 100 watt power supply and programmable from 100 mA to 4 amps per station
- Interchangeable adapters accommodate all major brands
- Includes a variety of user programs and allows for customizable programming
- Proprietary recondition cycle restores NiCd and NiMH batteries
- Increased processing power and testing resolution – including a three minute Quicktest that measures the batteries State of Health (SoH)
- Printer output for reports and labels
- Three year warranty

**WPLN4124AR** BOS II, Four-Station, 100-240V AC (US line cord)

**WPLN4125AR** BOS II, Four-Station, 100-240V AC (UK/Euro line cords)

#### **BOS II Adapter**

**RL-72403** Standard Adapter

\*Compatible with the STAR Micronics SP200 series printers, available from any STAR Micronics distributor, and other printers with STAR emulation.



## MT2000/MTS2000 Series

## Portable Accessories

### impres™ Smart Energy System



WOLN4111AR

The impres™ smart energy system ensures maximum talk-time and optimized battery cycle life through the use of its advanced charging algorithm and automatic reconditioning features. The smart energy system reconditions impres batteries when they need it automatically, keeping them in peak condition. It's advanced conditioning features allow batteries to be safely

left on the charger for extended periods of time without incurring the damaging heat build-up which can rob batteries of cycle life. In addition, batteries left on the charger are kept fully charged so they are always ready when you need them. The impres system reconditions batteries when they need it based on their usage pattern. Talk time and cycle life are optimized and the need for manual maintenance programs reduced or eliminated. This rapid-rate tri-chemistry charging system will also charge existing legacy batteries and supports multiple radio platforms including Saber, XTS, and HT1000 series portables.

**WPLN4111AR** impres Smart Energy System Single Unit Charger

**WPLN4108BR** impres Smart Energy System Multi-Unit Charger

### impres™ Smart Energy System

#### impres™ Multi-Unit Charger with Display Modules

The impres Multi-Unit Charger with Charger Display Modules has a two-line LCD screen for each of its six charger pockets that provides users with a host of valuable battery information. When a calibrated impres battery is inserted into a pocket, it provides the current battery mAh and percent of rated capacity which allows the user to immediately know the status of the battery without having to charge and discharge the battery. Additionally, the unit displays the remaining charge time which lets the user know when the impres battery will be ready for use. Additional information displayed includes: battery serial and part number information, battery chemistry, voltage and charge status including the version of the charger and display modules.

**WPLN4130AR** impres Multi-Unit Charger with Display Modules

**RLN5591A** Charger Display Module for impres multi-unit charger version 1.2 or earlier

**RLN5382A** Charger Display Module for impres multi-unit charger version 1.3 or later



WPLN4130AR

#### impres™ Bundle Packs

Provide significant savings on the impres products by bundling a charger and batteries together as a smart energy system package.

**RLN5265A** impres Charger with two HNN9029AR batteries

**RLN5266A** impres Charger with two HNN9028AR batteries

**RLN5439B** impres Multi-Unit Charger with six HNN9029AR batteries

**RLN5440B** impres Multi-Unit Charger with six HNN9028AR batteries



# MT2000/MTS2000 Series

## Portable Accessories

### Carrying Accessories

#### Carrying Cases

A variety of carrying accessories are available for your comfort and convenience. The carrying cases are available in sizes designed to fit your radio and battery and permit audio to be heard clearly.



NTN7247A

#### Standard Belt Loop Carrying Cases

**NTN7238A** Leather Carry Case with Belt Loop and T-Strap for use with high capacity battery

**NTN7239A** Leather Carry Case with Belt Loop and T-Strap for use with ultra-high capacity battery

**NDN4018B** DTMF Leather Carry Case with Belt Loop for use with high and ultra-high capacity batteries

**NTN7247A** Nylon Carry Case with Belt Loop and Strap for use with high and ultra-high capacity batteries

#### High Activity Swivel Carrying Cases

The following carrying cases have a high activity swivel "D" button and belt loop. To remove case from belt loop, rotate case 180 degrees and slide case upward, out of the holder. Case stays on belt more securely in high activity applications versus standard swivel cases while allowing the radio to swing freely with body movements.

**NTN8035B** Leather Carry Case with 2.5" High Activity Swivel Belt Loop and T-Strap for use with high capacity battery

**NTN8037B** Leather Carry Case with 3.0" High Activity Swivel Belt Loop and T-Strap for use with high capacity battery

**NTN8036B** Leather Carry Case with 2.5" High Activity Swivel Belt Loop and T-Strap for use with ultra-high capacity battery



NTN8036B

### Carrying Accessories

**NTN8038B** Leather Carry Case with 3.0" High Activity Swivel Belt Loop and T-Strap for use with ultra-high capacity battery

**NDN4017B** DTMF Leather Carry Case with 3.0" High Activity Swivel Belt Loop and Antenna Strap for use with high and ultra-high capacity battery

#### T-Strap

**NTN7782A** T-Strap for leather carry cases

**NTN7376A** T-Strap for nylon carry cases



NTN8038B

#### Belt Loops



NTN8039B

**NTN8039B** 2.5" High Activity Swivel Belt Loop

**NTN8040B** 3.0" High Activity Swivel Belt Loop

**NTN1534A** High-activity "D" button and 2.5" belt loop

**NTN1535A** High-activity "D" button and 3.0" belt loop

#### High Activity Button

**NTN8063A** Removable "D" button used in conjunction with high-activity belt loop

#### Belt

**4200865599** 1.75" Wide Black Belt



4200865599

#### Belt Clips

**4205638V09** 2.5" Contoured Belt Clip

**4205638V07** 3.0" Contoured Belt Clip



NTN5243A

#### Carrying Strap

**NTN5243A** Shoulder Carry Strap, allows easy carrying of radio in a case when not wearing a belt

# MT2000/MTS2000 Series

## Portable Accessories

### Carrying Accessories

#### Swiveller

**TDN9684A** Swiveller, includes clip button, holster and belt

#### Swiveller Replacement Accessories

**TDN9690A** Clip button, mounts on battery



NTN9684A

**TDN9688A** Holster, compatible with all buttons

**TDN9687A** Belt, 2" nylon



TDN9687A

#### Chest Pack

Carry the radio mounted on chest with adjustable straps over shoulders and around waist.

**HLN6602A** Universal Chest Pack with Radio Holder, Pen Holder, and Velcro Secured Pouch

**1505596Z02** Replacement Strap for HLN6602A



HLN6602A

#### Break-A-Way Chest Pack

All of the same features as the original chest pack (HLN6602A) plus break-a-way tabs that allow the entire pack to be pulled off with approximately 10 lbs. of pressure. Perfect for railroads, manufacturing locations, construction sites and anywhere safety is a concern.

**RLN4570A** Break-A-Way Chest Pack



RLN4570A

### Carrying Accessories

#### RadioPAK™

**RLN4815A** Universal RadioPAK™ with Radio Holder. Worn around waist with adjustable belt. Includes attached 6" by 8" zippered pouch for other job necessities.

**4280384F89** Universal RadioPAK™ belt lengthener; fits waists larger than 40"

#### Portable Radio Hanger

The portable radio hanger slides over and hangs from the door panel in a vehicle. The radio's belt clip slides onto the portable hanger allowing convenient, easy mounting. Two sizes are available to fit door panels.

**TDN9327A** Portable Radio Hanger for door panels up to 2.75"

**TDN9373A** Portable Radio Hanger for door panels up to 3.25"



TDN9327A

#### Waterproof Bag

**HLN9985B** Waterproof bag includes large carrying strap

#### Universal Holders

**RLN4943A** Universal holder with gooseneck bracket

**RLN4944A** Wheelchair quick release assembly

**RLN4945A** Universal holder with gooseneck bracket and wheelchair quick release assembly



RLN4815A

# MT2000/MTS2000 Series

## Portable Accessories

### Audio Accessories

#### Remote Speaker Microphones (RSM)



NMN6193C

Allows you to talk and listen without removing the radio from the belt case or charger. Ideal for high noise level environments. These water resistant microphones include a coil cord, 3.5mm earjack, swivel clothing clip and quick disconnect latch.

**\*NMN6193C**

Remote Speaker Microphone

**\*NMN6191C** Noise Cancelling Remote Speaker Microphone

**0104010J46** Replacement Coil Cord Cable Assembly for Remote Speaker Microphones

**RLN5002A** MicJacket Kit; compatible with NMN6228, NMN6243 and NMN6244 remote speaker microphones

#### Public Safety Speaker Microphones (PSM)

Public Safety Speaker Microphones include straight cord assembly, 3.5mm earjack, swivel clip, quick disconnect latch, antenna connector, and receiver, audio high/low volume push button. Antenna must be ordered separately.

**\*NMN6228C** 30" Noise-Cancelling Public Safety Speaker/Microphone, straight cord

**\*NMN6243B** 18" Noise-Cancelling Public Safety Speaker/Microphone, straight cord

**\*NMN6244B** 24" Noise-Cancelling Public Safety Speaker/Microphone, straight cord

**0104004J29** 30" Public Safety Microphone cable

**0104004J46** 18" Public Safety Microphone cable

**0104004J47** 24" Public Safety Microphone cable

**REX4410C** PTT Paddle Replacement Kit for remote and Public safety Microphones

\* Intrinsicly safe

### Audio Accessories

#### RSM Accessories

##### Epaulet Straps

Black leather epaulet strap secures remote speaker microphone to epaulet straps on shirt or jacket and



RLN4295A

accommodates back clip in leather cut-outs. Snap closure secures remote speaker microphone cord to allow reliable communications in hostile environments.

**RLN4294A** Epaulet Strap, Velcro

**RLN4295A** Epaulet Strap, small clip



RLN4294A

#### CommPort: Integrated Microphone/Receiver System

The CommPort system contains a miniature microphone and receiver, and connects to your two-way radio, making it possible to hear and speak under the most adverse conditions.



NTN1624A



NTN1625

**\*NTN1624A** Integrated Ear Microphone/Receiver System with Palm PTT (includes BDN6676D 3.5mm Jack Adapter)

**\*NTN1625A** Integrated Ear Microphone/Receiver System with PTT on Radio Adapter (includes BDN6676D 3.5mm Jack Adapter)

**\*NTN1663A** Integrated Ear Microphone/Receiver System with Ring PTT (includes BDN6676D 3.5mm Jack Adapter)

**\*NTN1736A** Integrated Ear Microphone/Receiver System with Snap-on Side PTT (includes BDN6676D radio adapter)

**NNTN4186A** Integrated Ear Microphone/Receiver System with Remote Push-to-Talk Body Switch (includes BDN6676D 3.5mm jack adapter)

**NKN6510A** Replacement Palm PTT Cable for NTN1624

**NKN6508A** Replacement Cable for NTN1625

# MT2000/MTS2000 Series

## Portable Accessories

### Audio Accessories

- NNTN4188A** Replacement Body Switch PTT Cable
- NKN6525A** Replacement Snap-on PTT Cable for NTN1736A
- NKN6512A** Replacement Ring PTT Cable for NTN1663A
- NTN8821A** CommPort Maintenance Kit, Includes Replacement Ear Tubes (Quantity 10), Windscreens (Quantity 2) and Microphone Seal Strips (Quantity 10)
- NTN8986A** Adhesive Pads (Quantity 90) for secure attachment to ear
- NTN8988A** Ear Straps (Quantity 10), for secure attachment to ear
- 4285838B01** Replacement Collar Clip
- 4202006A01** Replacement Back Cover Clip
- RLN5037A** Replacement Ear Tubes (Quantity 10)

### Surveillance Kits

Surveillance accessories allow the user to privately receive communications with the earpiece and are ideal when environments require discreet communications.

**The following surveillance accessories require the BDN6676D (3.5 mm threaded adapter jack) that attaches to the radio.**

Receive-only Surveillance Kit (1-Wire)

- \***BDN6664A** Beige
- \*†**BDN6665A** Beige
- BDN6726A** Black
- †**BDN6727A** Black



Receive-only Surveillance Kit with Volume Control (1-Wire)

- \***BDN6666A** Beige
- BDN6728A** Black



### Audio Accessories

Surveillance Kit with Microphone and Push-To-Talk Combined (2-Wire)

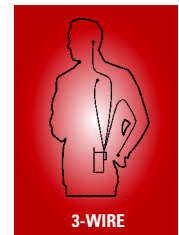
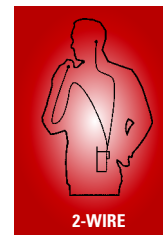
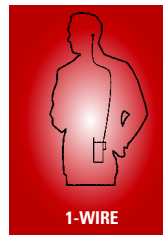
- \***BDN6667A** Beige
- \*†**BDN6669A** Beige
- BDN6729A** Black
- BDN6731A** Black



Surveillance Kit with Microphone and Push-To-Talk Separate (3-Wire)

- \***BDN6668A** Beige
- \*†**BDN6670A** Beige
- BDN6730A** Black
- †**BDN6732A** Black

\***BDN6676D** 3.5mm Jack Adapter with Quick Disconnect Latch



### Surveillance Kit Accessories

- 5080369E38** Standard Earpiece Assembly (includes Earphone, Earloop, Eartip)
- 5080369E39** Extra Loud Earpiece Assembly (includes Earphone, Earloop, Eartip)
- 5080369E40** Plastic Urethane Earloop
- 5080371E69** Small Rubber Eartips, Pack of 25, Beige
- 5080371E71** Small Rubber Eartips, Pack of 25, Black
- 5080371E73** Standard Rubber Eartips, Pack of 25, Beige
- 5080371E75** Standard Rubber Eartips, Pack of 25, Black
- 5080370E90** Standard Earpiece Assembly (includes Earphone, Earloop, and Eartip)
- 5080370E91** Extra Loud Earpiece Assembly (includes Earphone, Earloop, and Eartip)
- 5080370E92** Earloop, Plastic, Black
- 5880377E06** Plastic Earloop Adapter

\* *Intrinsically safe*

† *Extra Loud Earphone (exceeds OSHA limits)*

# MT2000/MTS2000 Series

## Portable Accessories

### Audio Accessories

#### Surveillance Kits with Extended Wear Comfort Earpiece

These kits include a comfort earpiece with a rubber eartip and a clear comfortable acoustic tube. Users hear transmissions clearly, while the clear tube provides a discreet appearance.

**RLN5311A** Comfort Earpiece with Microphone and PTT combined, Beige (2-wire kit)

**RLN5312A** Comfort Earpiece with Microphone and PTT combined, Black (2-wire kit)

**RLN5313A** Receive Only Comfort Earpiece, Black (1-wire kit)

**RLN5314A** Receive Only Comfort Earpiece, Beige (1-wire kit)



#### Completely Discreet Earpiece

Remain discreetly in touch with this miniaturized receiver. All messages received through the user's two-way radio are inductively relayed to the wireless earpiece in the user's ear. Inductive neckloop is easily hidden under the user's clothing for covert operations. Neckloop attaches to the user's Motorola Surveillance Kit providing completely discreet two-way communications. Security operatives, public safety officials, and private investigators can communicate with ease without any visible equipment. Small as it is, it offers a full range of audio functions including automatic squelch, automatic gain control and noise filtering. Must be used in conjunction with a Motorola Surveillance Kit. Just remove the earpiece on any standard 2- or 3-wire surveillance kit and plug in the neckloop for completely discreet communication.



**RLN4922A** Completely Discreet Earpiece Kit

#### Replacement Items

**RLN4919A** Ear Wax Guards, 5 per pack

**RNN4005A** 1.4 Volt Battery, 6 per pack

### Audio Accessories

#### Noise Kits

Lightweight translucent tube attaches to Motorola surveillance accessories. Clothing clip prevents the accessory from being pulled from the ear due to body movement or head rotation.

**NTN8370A** Extreme Noise Kit, includes 2 foam earplugs for loud environments, provides 24dB noise protection

**NTN8371A** Low Noise Kit, includes rubber eartip for low noise environments

**5080384F72** Replacement Foam Plugs; pack of 50 (for use with NTN8370A)

**5080371E73** Beige Replacement Standard Rubber Eartips; for use with NTN8371A, (pack of 25)

**5080371E75** Black Replacement Standard Rubber Eartips; for use with NTN8371A, (pack of 25)

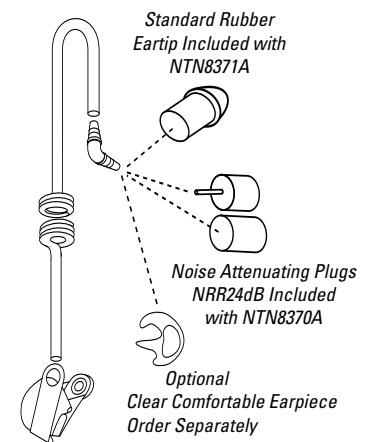


NTN8370A

#### Clear Comfortable Earpiece

The clear comfortable earpiece forms to the inside of your ear and is perfect for low noise environments. Compatible with the NTN8371A, clear acoustic tube assembly, and most surveillance kits (1, 2 and 3 wire). This earpiece is made of easy-to-clean chemically inert, hypoallergenic material. There are 3 items needed to make this product work:

1. Clear Comfortable Earpiece
2. Clear Acoustic Tube Assembly (NTN8371A)
3. Surveillance Kits



Acoustic Tube with Earphone



# MT2000/MTS2000 Series

## Portable Accessories

### Audio Accessories

**RLN4760A** Small Custom Earpiece, right ear

**RLN4763A** Small Custom Earpiece, left ear



RLN4763A

**RLN4761A** Medium Custom Earpiece, right ear

**RLN4764A** Medium Custom Earpiece, left ear

**RLN4762A** Large Custom Earpiece, right ear

**RLN4765A** Large Custom Earpiece, left ear



RLN4760A

### Ear Microphone System (EMS)

This compact unit picks up the voice through bone vibrations in the ear canal. The miniature earpiece leaves the hands free and face unobscured when worn by rescue and hazard protection personnel, who still retain the ability for direct hearing and speaking. For personnel required to wear breathing apparatus, communications with protective masks are as clear as communications without. And its high speech clarity under noisy environments makes it ideal for high noise environments. Available in PTT or Voice Activated (VOX). Interface Module needs to be ordered separately for EMS to work

**\*BDN6677A** Ear Microphone for Standard Noise Levels (up to 95dB, black)

**\*BDN6678A** Ear Microphone for Standard Noise Levels (up to 95dB, beige)

**\*BDN6641A** Ear Microphone for High Noise Levels (up to 105dB)



BDN6641A

Shown with interface module

### Audio Accessories

#### Interface Module For EMS

**\*BDN6708B** Push-To-Talk Interface Module

**\*BDN6671B** Push-To-Talk or Voice-Activated Interface Module



BDN6708B

#### Optional Accessories For EMS

**\*0180358B38** Remote Push-To-Talk Ring Switch

**\*0180300E83** Remote Push-To-Talk Body Switch



0180358B38



0180300E25

**0180300E25** Earguard with Adjustable Loop; secures ear mic in ear

**0180358B32** Earholder, black size small; secures ear mic in ear

**0180358B33** Earholder, black, size medium; secures ear mic in ear

**0180358B34** Earholder, black, size large; secures ear mic in ear

**0180358B35** Earholder, clear, size small; secures ear mic in ear

**0180358B36** Earholder, clear, size medium; secures ear mic in ear

**0180358B37** Earholder, clear, size large; secures ear mic in ear

**4280369E44** Replaceable Belt Clip with Screws

**5080358B28** Eartips, black, size medium (10 per pack)

**5080358B29** Eartips, black, size large (10 per pack)

**5080358B30** Eartips, beige, size medium (10 per pack)

**5080358B31** Eartips, beige, size large (10 per pack)



0180358B33

\* Intrinsicly safe

## MT2000/MTS2000 Series

## Portable Accessories

### Audio Accessories

#### Flexible Ear Receiver

Features a flexible earloop and speaker which rests external to the ear.

**BDN6719A** Flexible Ear Receiver with 3.5 mm Threaded Plug, requires adapter BDN6676D unless being used with speaker microphone

**7580372E11** Replacement Foam Ear cushion for BDN6719A



BDN6719A

#### Pellet Style Earpieces

The pellet style earpiece allows the user to receive communication discreetly and is comfortable for extended wear.

**BDN6780A** Single Earbud with Microphone and Push-To-Talk, requires adapter BDN6676D, unless being used with speaker microphone

**BDN6781A** Single Earbud, receive only; requires adapter BDN6676D unless being used with speaker microphone

**7580372E70** Replacement Foam Ear Cushion for Pellet Earpieces

#### Lightweight Headsets

Lightweight headsets allow for high clarity, hands free, discreet two-way communication while adding comfort for extended wear in moderate noise environments. Requires BDN6676 Audio Adapter.



NMN6245A

**\*NMN6245A** Single Muff Lightweight Headset with In-line Push-To-Talk Switch (requires BDN6676D adapter)

**REX4648A** Replacement Foam Earpad and Windscreen Kit for NMN6245A

**5080574E02** Foam Earpads for use with NMN6245A, 10 per pack

### Audio Accessories

**\*NMN6246A** Ultralite Headset with Boom Microphone and In-line Push-To-Talk Switch; ear bud style receiver (requires BDN6676D adapter)

**\*NMN1020A** Lightweight Headset with Boom Microphone to be worn on a helmet or safety glasses. Includes NKN6498A adapter cable. Requires BDN6676D adapter.

**\*NKN6498A** Headset Adapter Cable for use with NMN1020A



NMN6246A

#### Medium Weight Headsets

Medium Weight Headsets offer high-clarity sound with the additional hearing protection necessary for providing consistent, clear two-way radio communications in harsh, noisy situations.

**\*NMN6258A** Medium Weight Headset, over the head with In-Line PTT, Noise Reduction Rating = 24dB

**\*NMN6259A** Medium Weight Headset, behind the head with In-Line PTT, Noise Reduction Rating = 24dB

**7580376E34** Replacement Foam Earseals, 1 pair

**1580376E32** Replacement Cloth Covers for Earseals, 1 pair

**5080548E02** Replacement Windscreen for Boom Microphone

**3280376E35** Replacement O-ring for Windscreen

**4204004K01** Replacement Adjustable Headstrap for NMN6259A

#### Noise-Canceling Headsets with Boom Microphone

Ideal for two-way communication in extremely noisy environments. Dual-muff tactical headsets include two microphones on the outside of the earcups which reproduce the ambient sound back into the headset. Harmful sounds are suppressed to a safe level and low sounds are amplified up to 5 times the original level, but never more than 82dB(A). Includes on/off volume control on earcups and 3-foot curly cord. Easily replaceable earseals are filled with liquid and foam combination to provide excellent sealing and comfort. Requires separate in-line PTT adapter cable RKN4095A. Hardhat not included.

\* Inherently safe



# MT2000/MTS2000 Series

## Portable Accessories

### Audio Accessories

**RMN4052A** Tactical Headband Style Headset; provides 24dB of noise reduction and requires RKN4095A adapter cable.



RMN4053A

**RMN4053A** Tactical Hardhat Mount Headset; mounts easily to hardhats with slots. Provides 22dB of noise reduction and requires RKN4095A adapter cable; hardhat not included.



RMN4052A

**RKN4095A** Radio Adapter Cable with In-Line PTT for use with RMN4051A, RMN4052A and RMN4053A

### Racing Headset for Two-Way Radios

Motorola is the official wireless equipment supplier of CART®, so whether your customers' playing field is a racetrack, construction site or other challenging environment, they can count on this Racing Headset for superior comfort and dependable operation.



RMN5015

**RMN5015A** Racing headset for two-way radios (Adapter Cable required)

**BDN6673B** Adapter Cable for XTS2500, XTS3000, XTS3500 and XTS5000

### Audio Accessories

#### Temple Transducer

The temple transducer represents a significant achievement in headset design and functionality. It allows the user to receive audio without covering the ear. The receiver portion of this accessory rests on the temples and is capable of converting the receive audio from a two-way radio into sound vibration. The sound vibration is transmitted through the surrounding human tissue and bone directly into the inner ear where it is received by the user. It features an in-line PTT and noise canceling boom microphone. The temple transducer enhances communication and safety by not impairing the user's hearing of external sound environment, such as from machinery and equipment, warning, and fire alarms, the intercom, traffic and even casual conversations with their co-workers.



RMN4049A

\***RMN4049A** Temple Transducer

#### Hardhat Mount Headset with Noise-Canceling Boom Microphone



RMN4051A

Ideal for two-way communication in high-noise environments; mounts easily to hardhats with slots, excellent noise reduction of 22dB. Easily replaceable earseals are filled with liquid and foam combination to provide excellent sealing and comfort. 3-foot curly cord assembly. Requires separate in-line PTT adapter cable RKN4095A. Hardhat not included.

**RMN4051A** Two-Way Hardhat Mount Headset, black

#### Adapter Cable

**RKN4095A** In-Line PTT Adapter Cable. For use with RMN4051, RMN4052, and RMN4053.

#### Replacement Earseals for Headsets

**RLN4923A** Includes Two Replacement Snap-In Earseals; recommended replacement interval is once every six months to ensure constant level of attenuation, hygiene and comfort. For use with RMN4051, RMN4052, and RMN4053.

\* Intrinsicly safe

## MT2000/MTS2000 Series



## Portable Accessories, Antennas

### Audio Accessories

#### Heavyduty Headsets

Heavyduty headsets include noise-cancelling boom microphones and can be worn with or without a hardhat. Headsets are for use in noise levels up to 125 dB. The Push-To-Talk switch is located on the earcup. The VOX module is contained within the headset on voice activated units. **Heavyduty headsets require radio adapter cable BDN6673B to be ordered separately.**

**\*BDN6645A** Push-To-Talk Headset with Boom Microphone; requires adapter cable BDN6673B; noise reduction rating = 24dB



BDN6645A



BDN6635B

**\*BDN6635B** Voice-activated Headset with Boom Microphone; requires adapter cable BDN6673B; noise reduction rating = 24dB

**\*BDN6636B** Voice-activated Headset with Throat Microphone; requires adapter cable BDN6673B; noise reduction rating = 24dB



BDN6636B

**BDN6673B** Radio Adapter Cable

#### Receive Only Headset

**RMN4056B** Receive only dual muff headband style headset, provides 24 dB of noise reduction for use with a 3.5mm threaded jack (can be plugged directly into radio with BDN6676D adapter)

**RMN4057B** Receive only hardhat mounts easily to hardhats with slots and provides 22dB of noise reduction, for use with all remote and public safety microphones with 3.5mm threaded jack (can be plugged into radio with BDN6676D adapter)

### Portable Antennas

Injection molded for rugged environments. Each antenna is tested and tuned to give maximum power and performance.

#### Flexible Whip Antennas

Antenna has a one-piece finish and steel core for optimal strength and better radiation characteristics. Provides more comfort when radio is worn on the belt.

**8505241U05**  
Flexible Whip, 403-520MHz, 6"

**8505241U03**  
Flexible Whip, 806-870MHz, 7"

**8505241U04**  
Flexible Whip, 896-941MHz, 7"



8505241U05

#### Helical Antennas

Helical antennas are sturdy and dependable for years of failsafe communication. Each antenna is designed and built to quality standards. The skirt at the base of the connector helps to seal out damaging elements. Connector is made of plated brass material for long life.

**8505644V01**  
Helical, 136-151MHz, 6"

**8505644V02**  
Helical, 151-162MHz, 6"

**8505644V03**  
Helical, 162-174MHz, 6"

**8505644V04**  
Helical, 403-435MHz, 3"

**8505644V05**  
Helical, 435-470MHz, 3"

**8505644V06**  
Helical, 470-520MHz, 3"



8505644V01



8505644V03



8505644V04

\* Intrinsicly safe

# MT2000/MTS2000 Series

## Antennas, Batteries

### Portable Antennas

#### Dipole Antennas

Dipole molded antennas are injection molded in lasting polyurethane. The wide skirt at the bottom of the connector protects against damaging environmental elements. The dipole antenna is ideal when strong and solid signal clarity is demanded.

##### NAF4000B

Dipole, 806-869MHz, 8"

##### 8505884R02

Dipole, 896-941MHz, 8"



#### Wideband Antenna

Wideband antenna is ideal when radio is used in different frequencies since one antenna will cover all ranges.

**8505518V01** Wideband, 136-174MHz, 6"

#### Stubby Antenna

This quarterwave stubby antenna is ideal when radio is worn on the belt because the short antenna is non-obtrusive. This is a broadband antenna that can be used for both 800MHz and 900MHz applications.

##### \*8505241U06

Stubby, 806-941MHz, 4"



### Replacement Kits

**REX4395A** 15 Key Cosmetic Replacement Kit

**REX4396A** 6 Key Cosmetic Replacement Kit

**REX4397A** Top Display Cosmetic Replacement Kit

### Portable Batteries

#### Nickel-Cadmium Premium

Part Number: **NTN7143CR**

Volts: 7.5

Avg. mAh: 1200

Height: 6"

Intrinsically Safe: No



NTN7143CR

Part Number: **NTN7144CR**

Volts: 7.5

Avg. mAh: 1500

Height: 6"

Intrinsically Safe: No



NTN7144CR

Part Number: **NTN7146AR**

Volts: 7.5

Avg. mAh: 1200

Height: 6"

Intrinsically Safe: Yes

Part Number: **NTN7147AR**

Volts: 7.5

Avg. mAh: 1300

Height: 6"

Intrinsically Safe: Yes

\* 8505241U06 is a broadband antenna that operates in the 800/900MHz band

# MT2000/MTS2000 Series

## Batteries

### Portable Batteries

Part Number: **NTN7149BR**

Volts: 7.5

Avg. mAh: 1300

Height: 6"

Intrinsically Safe: No

CSA: Yes

Part Number: **NTN7150AR**

Volts: 7.5

Avg. mAh: 1200

Height: 6"

Intrinsically Safe: No

MSHA: Yes

Part Number: **NTN7341AR**

Volts: 7.5

Avg. mAh: 1400

Height: 6"

Intrinsically Safe: Yes



NTN7372AR

Part Number: **NTN7372AR**

Volts: 7.5

Avg. mAh: 1200

Height: 6"

Intrinsically Safe: Yes

### Portable Batteries

#### Nickel Metal Hydride Premium

Part Number: **WPNN4013A**

Volts: 7.5

Avg. mAh: 2000

Height: 6"

Intrinsically Safe: No



WPNN4013A

Part Number: **WPNN4037A**

Volts: 7.5

Avg. mAh: 1900

Height: 6"

Intrinsically Safe: Yes

#### Nickel-Cadmium impres™

Part Number: **HNN9028AR**

Volts: 7.5

Avg. mAh: 1500

Height: 6"

Intrinsically Safe: No



HNN9028AR

Part Number: **HNN9029AR**

Volts: 7.5

Avg. mAh: 1500

Height: 6"

Intrinsically Safe: Yes

# MT2000/MTS2000 Series

## Service Aids, Manuals

### Service Aids



0180357A57

#### Wall Mounted Power Supply

Used to supply power to radio interface box, RLN4008E

**0180357A57** Wall Mounted Power Supply, 110 Volts

**0180358A56** Wall Mounted Power Supply, 220 Volts

#### Radio Test and Programming Cable

Used with Portable Radio Test Set, RTX4005, for transmitter, receiver alignment and performance checks. Also used in programming radio.

**RKN4035D** Radio Test and Programming Cable

#### Battery Eliminator

The battery eliminator acts like a battery with a cable to access a DC external power supply. It is ideal to inspect transmitters and receivers on incoming radios. Reverse supply polarity protection and input fuse protection are provided.

**RLN1014A** Battery Eliminator

#### Radio Interface Box

Links radio programming cable and computer interface together. Provides required voltage shift to enable communications between radio and computer. Requires computer interface cable, radio test and programming cable, and 9 volt snap type battery (6082728J01), order separately.



RLN4008E

**RLN4008E** Radio Interface Box

#### Cloning Cable

Allows another radio to be duplicated from a master radio by transferring programmed data from one radio to another.

**RKN4036D** Cloning Cable

### Service Aids

#### Computer Interface Cable

Used to connect computer's serial port to Radio Interface Box.

**3080369B71** Cable, RIB to 25 pin D

**3080369B72** Cable, RIB to 9 pin D



3080369B71

#### Programming Software

Utilizing your personal computer, this software enables you to add or reprogram frequencies as your requirements change. Requires interface box and appropriate cables, must be ordered separately.

**RVN4176M** Programming Software

### Manuals

<b>6881200C15</b>	Theory and Troubleshooting Manual
<b>6881200C25</b>	Service Manual
<b>6881200C40</b>	Maintenance Manual
<b>6881076C65</b>	Operator Manual
<b>0180305J46</b>	Ear Microphone System and Temple Transducer CD-ROM
<b>0180305J70</b>	impres™ System CD-ROM