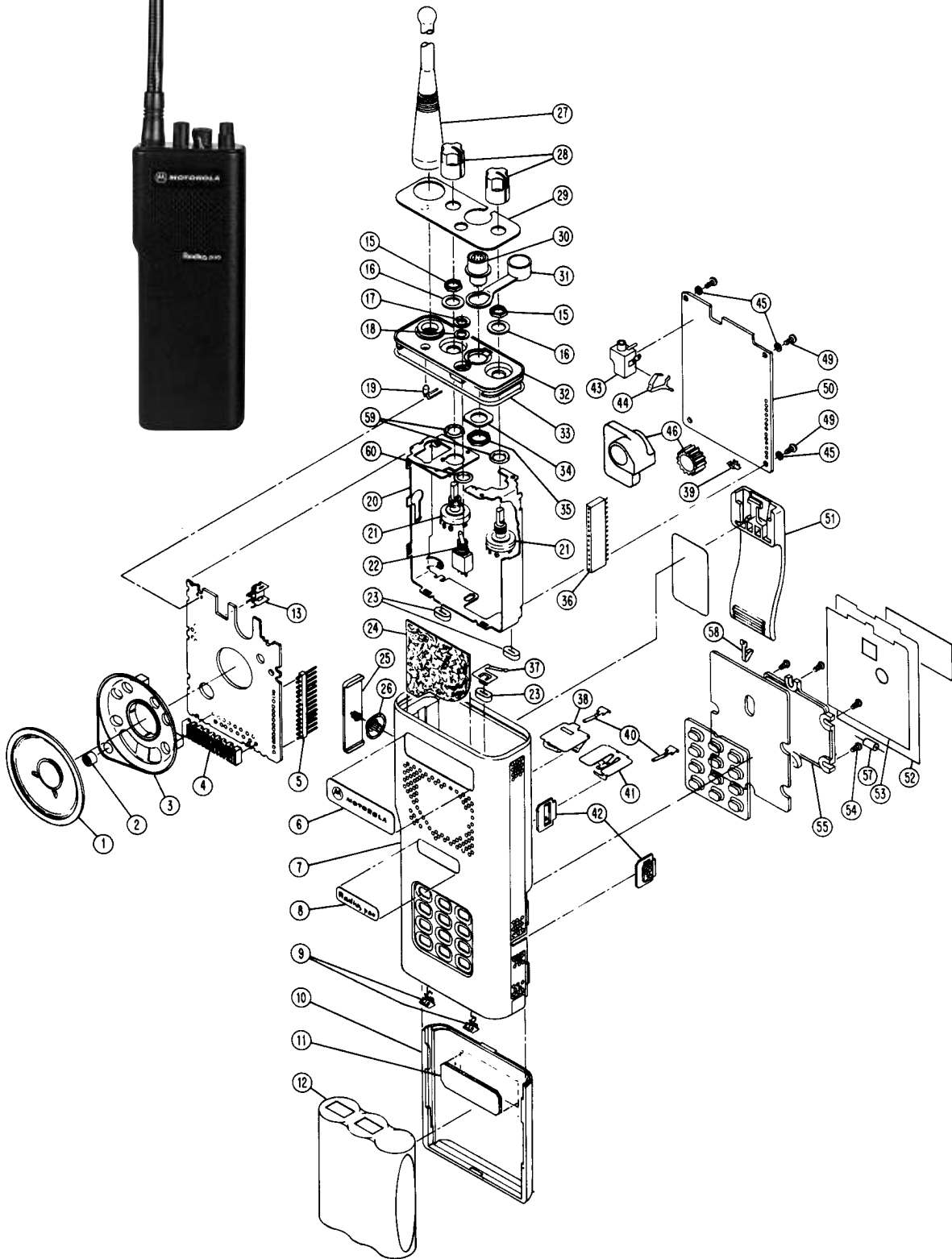


P50 Series

Parts List



Replacement parts may no longer be available

P50 Series

Parts List

REF. NO.	PART NO.	DESCRIPTION	REF. NO.	PART NO.	DESCRIPTION
1	0180701Y91	Speaker, 28 ohm	29	1305489S02	Escutcheon, P50
2	5005227J02	Microphone	30	0905336N01	Connector, Accessory (P50 only)
3	4205344S01	Retainer, Microphone/Speaker	31	3805285T01	Dust Cap (P50 only)
4	0905348T01	Audio/Option Interconnect	32	1505281T03	Control Top
5	2805542S01	Plug, 14-Pin	33	3205082E77	"O" Ring, Control Top
6	1305540S01	Label, Motorola	34	0405216L04	Washer, Accessory Connector
	1305540S02	Label, Private	35	0205765L03	Nut, Accessory Connector
7	1505276T01	Housing	36	0905539S01	Jack, 14-Pin
8	1305541S01	Label, Radius P50	37	3905741S01	Contact, B+ PCB
9	3905354S01	Contact, Charging	38	3905736S01	Contact, Battery Negative
10	1505279T01	Cover, Battery	39	4205474P03	Clip, B+ Transceiver Board
11	1105668K66	Pad, Battery	40	3905497S01	Clip, Frame
12	---	Battery Pack; See Service Manual	41	3905740S01	Contact, Battery B+
13	4005286S01	Switch, PTT	42	5505284T01	Latch, Battery
15	0205629L02	Nut, Potentiometer	43	0905511S02	Jack, RF
16	0405162Q02	Washer, Potentiometer	44	3905337T01	Contact, Antenna
17	0205163Q01	Nut, Toggle Switch Spanner	45	0405683D04	Lockwasher
18	0400139507	Washer, Toggle Switch	46	2605642S01	Heatsink
19	---	LED	49	0300136782	Screw, Frame
20	0705201T03	Frame Housing, Finished	51	HLN9115A	Belt Clip
	and		52	8405690S04	PCB, Battery
	1505281T03	Housing, Finished	53	1105707S07	Adhesive, Battery PCB (Low Power)
21	1805509S01	Potentiometer		or	
22	---	Switch, Toggle		1105707S06	Adhesive, Battery PCB (High Power)
23	3205530S01	Seal, Frame	54	0305073P01	Screw, Option Board
24	3505488S01	Felt, Speaker	55	3205572T01	Washer, Option Board
25	4505283T01	Lever, PTT	57	4880388B70	Diode, Battery PCB
26	3805296S01	Actuator, PTT	58	3905860S01	Contact, Option Board
27	---	Antenna; See Service Manual	59	3205082E01	Seal, Potentiometer
28	0105951N79	Knob, Potentiometer	60	3205141Q03	Seal, Toggle Switch

Cancelled Product P50: Aftermarket support criteria has been met for spare parts. Items may no longer be available.

P50 Series

Portable Accessories

Chargers

Single Unit Chargers

Single unit chargers are best suited for small system users, or users without centralized charging facilities.

HTN9046DR Single Unit Charger, Standard Rate, 117V



HTN9046DR

HTN9026CR Single Unit Charger, Rapid Rate, 117V

HTN9425B Single Unit Charger, Rapid Rate, 220V, European Plug

HTN9342A Single Unit Charger, Standard Rate, 220V, European Plug

HTN9295B Multi-Unit Charger Conversion Kit. Provides a convenient means for housing from 1 to 6 single unit battery chargers. Each charger operates independently. Approved for use with HTN9046 and HTN9026 only. **This is not a multi-unit charger.**

Battery Maintenance System^{plus} (BMS^{plus})

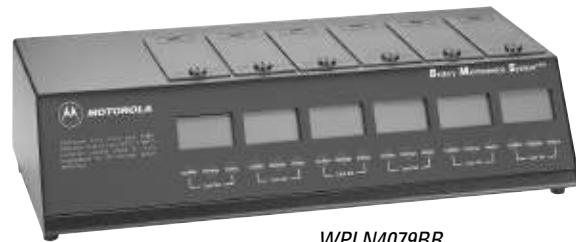
Using interchangeable battery adapters (sold separately), the BMS^{plus} is capable of charging and discharging, analyzing, conditioning and cycle test on batteries; tracking battery voltage and capacity (mAh).

The BMS^{plus} offers a 3 year warranty. Its easy-to-use design supports hundreds of 2-way, cellular, and camcorder batteries with printer port* (Serial-RS-232C port – uses female 9-pin to male 25-pin cable).

WPLN4079BR Six-Station, 110V AC, 50/60 Hz

WPLN4080BR Six-Station, 230V AC, 50/60 Hz

WPPN4085AR BMS^{plus} field upgrade kit for WPLN4079AR, WPLN4080AR and WPLN4081AR allows these units to support Li-ion battery chemistries



WPLN4079BR

BMS^{plus} Adapters

TDN9446A Standard Adapter, 4 and 5 Watt P50, 630-650 mAh

TDN9447A Standard Adapter, 2 Watt P50, 550 mAh

* Compatible with the STAR Micronics SP200 series printers, available from any STAR Micronics distributor, and other printers with STAR emulation.

P50 Series

Portable Accessories

Battery Optimizing System II (BOS II)



WPLN4124AR

No other battery analyzer matches the speed, accuracy, and versatility of the Battery Optimizing System II. Ideal for large fleet, public safety, and all other users who rely on their battery performance. Now with increased power, more sophisticated programming options, and easier to use navigation paths, optimizing your batteries was never easier. Key features include:

- Support for NiCd, NiMH, Li-ion, and SLA batteries
- 100 watt power supply and programmable from 100 mA to 4 amps per station
- Interchangeable adapters accommodate all major brands
- Includes a variety of user programs and allows for customizable programming
- Proprietary recondition cycle restores NiCd and NiMH batteries
- Increased processing power and testing resolution – including a three minute Quicktest that measures the batteries State of Health (SoH)
- Printer output for reports and labels
- Three year warranty

WPLN4124AR BOS II, Four-Station, 100-240V AC (US line cord)

WPLN4125AR BOS II, Four-Station, 100-240V AC (UK/Euro line cords)

BOS II Adapters

RL-71292 Standard Adapter, P50

Motorola Conditioning Charger (MCC)

The MCC will help extend battery life and enhance battery operation. It will safely condition and charge your specified Nickel Cadmium (NiCd) and Nickel Metal Hydride (NiMH) batteries in approximately an hour.



WPPN4002BR

WPPN4002BR 110V AC Base Charge Unit only

WPPN4006AR 220V AC Base Charge Unit only

WPPN4008BR 7 Volt Adapter only

WPLN4092BR MCC Kit, 110V AC; includes both base unit and 7V adapter

WPLN4093BR MCC Kit, 220V AC; includes both base unit and 7V adapter

3080384G15 Cigarette Lighter Adapter Cord

RLN4814A Mounting Bracket for single unit conditioning chargers

MCC Multi-Unit Conditioning Charger

WPPN4065BR Four-station Base, 110V. (Order adapter plates separately)

P50 Series

Portable Accessories

Carrying Accessories

Carrying Cases

A variety of carrying accessories are available for your comfort and convenience. The carrying cases are available in sizes designed to fit your radio & battery and permit audio to be heard clearly.



HLN9147A Nylon Carry Case, Low Power

HLN9148A Nylon Carry Case, High Power

HLN9116A Leather Carry Case with Belt Loop, Low Power

HLN9146A Leather Carry Case, High Power

HLN9184A Leather Carry Case, Low Power, DTMF

HLN9185A Leather Carry Case, High Power, DTMF



HLN9116A

Belt Clip

HLN9115A Belt Clip

Belt

4200865599 1.75" wide leather belt



HLN9115A

Carrying Accessories

Shoulder Strap

HLN9150A Shoulder Strap



HLN9150A



HLN9149A

Swivel Adapter

HLN9149AR Swivel Adapter for Leather Belt Loop Cases



HLN6602A

Universal Carry Accessories

HLN6602A Universal Chest Pack with Radio Holder, Pen Holder and Velcro Secured Pocket

1505596202 Replacement Strap for HLN6602

RLN4815A Universal RadioPAK™ with Radio Holder. Worn around waist with adjustable belt. Includes attached 6" by 8" zippered pouch for other job necessities

4280384F89 Universal RadioPAK™ belt lengthener; fits waists larger than 40"

RLN4570A Break-A-Way Chest Pack; all of the same features as the original chest pack (HLN6602A) plus break-a-way tabs that allow that allow the entire pack to be pulled off with approximately 10 lbs of pressure.

P50 Series

Portable Accessories, Antennas

Audio Accessories

Headsets/Speaker Microphone

5005125R05 Headset with Boom Microphone (without VOX)

HMN9083D Remote Speaker Microphone with Coiled Cord

NSN6050A Earpiece without Volume Control



5005125R05

Earmolds

5083851B01 Earmold, Right Ear

5083851B02 Earmold, Left Ear



RLN4295A

Epaulet Strap

Black leather epaulet straps secure remote speaker microphones to epaulet of shirts or jackets and attach around cord. Allows reliable communications in hostile environments with clip style strap.

RLN4295A Epaulet Strap, Small Clip

Ear Mics

Single unit microphone and speaker worn in the ear. Eliminates the need for handheld microphones or conventional headsets. Compact, rugged design allows use under hearing protectors and protective clothing. Order cable separately.

0180359A51 Optional PTT Ring Switch for RMN4001B only

0180356B97 Optional PTT Ring Switch for RMN4001B only



0180359A51

Portable Antennas

Heliflex Antennas

Motorola Heliflex antennas are specifically engineered for maximum output and greatest communication coverage.

***NAB6064A**
Heliflex, 30-50MHz, 12"

NAD6502AR
Heliflex, 146-174MHz, 6"

HAD9337A
Heliflex, 163-175MHz, 5"



NAD6502AR

Flexible Whip Antenna

Flexible Whip antennas have a one-piece finish and steel core for optimal radiation characteristics. Provides more comfort when radio is worn on the belt.

NAE6483AR
Flexible Whip, 403-520MHz, 6"



NAE6483AR

*NAB6064A is an uncut antenna. Cutting instructions and chart supplied with antenna

P50 Series



Batteries, Alignment & Service Tools

Portable Batteries

Nickel-Cadmium Premium

Part Number: **HNN9027A**
Volts: 11.25
Avg. mAh: 630
Height: 3-3/8"
Intrinsically Safe: No



HNN9027A

Part Number: **HNN9044AR**
Volts: 7.5
Avg. mAh: 550
Height: 2-3/16"
Intrinsically Safe: No

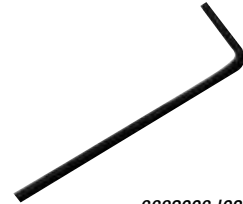
Part Number: **HNN9233A**
Volts: 7.5
Avg. mAh: 550
Height: 2-3/16"
Intrinsically Safe: Yes

Part Number: **HNN9234A**
Volts: 11.25
Avg. mAh: 550
Height: 3-3/8"
Intrinsically Safe: Yes

Part Number: **HNN9018AR**
Volts: 7.5
Avg. mAh: 1200
Height: 3-3/8"
Intrinsically Safe: No

Alignment Tools

6683006J02 Spline Wrench, for Preselector
Tuning Slugs



6683006J02

6605106N01 Alignment Tool, for Coil Tuning



6605106N01

6680343A15 Thin Blade
Screwdriver, for RF Power
Amplifier Alignment



6680343A15

Service Tools

RSX4043A Adjustable
Torque Screwdriver
(Order Bits Separately)



RSX4043A

6680371B03 Hex
Socket Bit, for Volume
and Squelch Nuts

6680370B95 Spanner
Bit, for Frequency
Toggle Switch

6680334B38 1" Adapter Extension Bit, Required for 6680388A58,
and 6605853S01

P50 Series

Service Tools, Aids, Manuals

Service Tools

Programming Software For P50+

Utilizing your personal computer, this software enables you to add/or reprogram frequencies as your requirements change. Compatible with IBM XT, AT Model 30, 50, 60, and 80. Requires Radio Interface Box and proper cables, order separately.

RVN4134B Programming Software (includes manual and storage box)

Service Aids

RF Adapter Cable

Connect radio RF directly to test equipment.

RKN4000A RF Adapter Cable
Terminated with BNC Female,
Opposite End Fits Antenna on Radio



Radio Interface Box

Links radio programming cable and computer interface together. Provides required voltage shift to enable communications between radio and computer.

RLN4008E Radio Interface Box



Service Aids

Wall Mounted Power Supply

Used to supply power to radio interface box , RLN4008E

0180357A57 Wall Mounted Power Supply, 110 Volts

0180358A56 Wall Mounted Power Supply, 220 Volts

Programming Cable

Connects radio interface box to radio for programming.

0180358A62 Programming Cable

Computer Interface Cable

Used to connect computers serial adapter to Radio Interface Box.

3080369B71 Cable, RIB to 25 pin D

3080369B72 Cable, RIB to 9 pin D



3080369B71

Manuals

6881068C60

Instruction Manual, 150.8-162 MHz High Band/VHF and 450-470 UHF/450