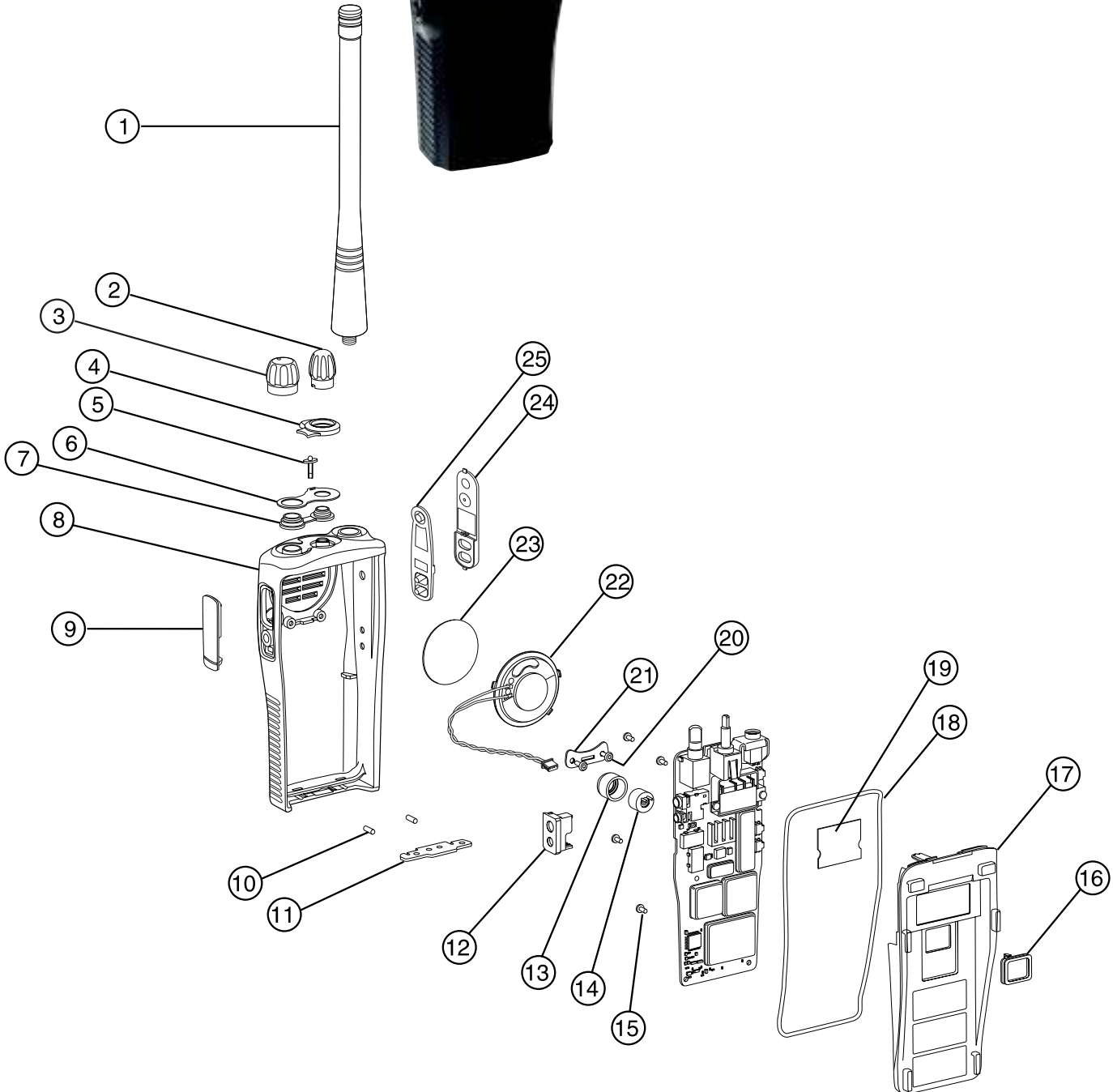


CP150/200 Series

Parts List



CP150/200 Series

Parts List

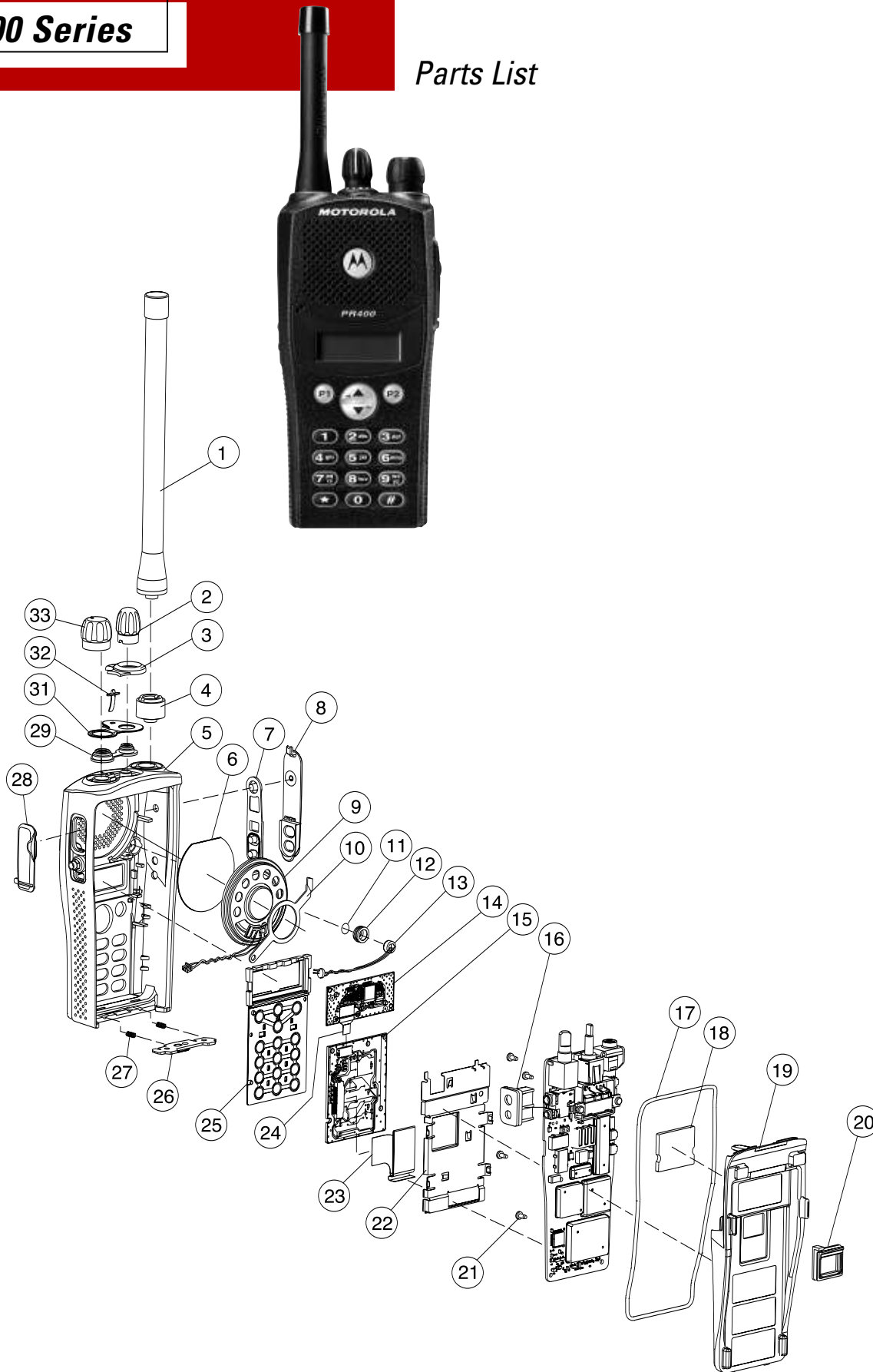
REF. NO.	PART NO.	DESCRIPTION
1	----	Antenna (see antennas page)
2	3680530Z02	Knob, Frequency
3	3680529Z01	Knob, Volume
4	1386440Z01	Escutcheon, Top; 4 Ch.
	1386440Z02	Escutcheon, Top; 16 Ch.
5	6186446Z01	Lightpipe
6	3386443Z01	Label, Escutcheon Seal
7	3286432Z01	Seal, Control Shaft
8	1586390Z01	Housing, Front
9	3886441Z01	Cap, Dust
10	4105944K01	Spring, latch; 2 used
11	5586445Z01	Latch assembly
12	1586437Z01	Shroud, audio jack
13	0786469Z01	Boot, microphone
14	5080258E16	Microphone
15	0304726J05	Screws, chassis; 4 used
16	3286435Z01	Seal, battery contact block
17	2786389Z01	Chassis
18	3286431Z02	Seal, main O-ring
19	7586436Z01	Pad, PA interface
20	0386434Z01	Screws, speaker retainer; 2 used
21	0786433Z02	Retainer, speaker
22	5005679X04	Speaker
23	3586092Z02	Felt, speaker
24	4586439Z01	PTT, plastic
25	3886489Z01	PTT, rubber

NON-REFERENCED ITEMS

3386488Z01	Nameplate, Motorola
3386409Z01	Nameplate, Radius CP200
3386409Z02	Nameplate, Radius CP150

PR400 Series

Parts List



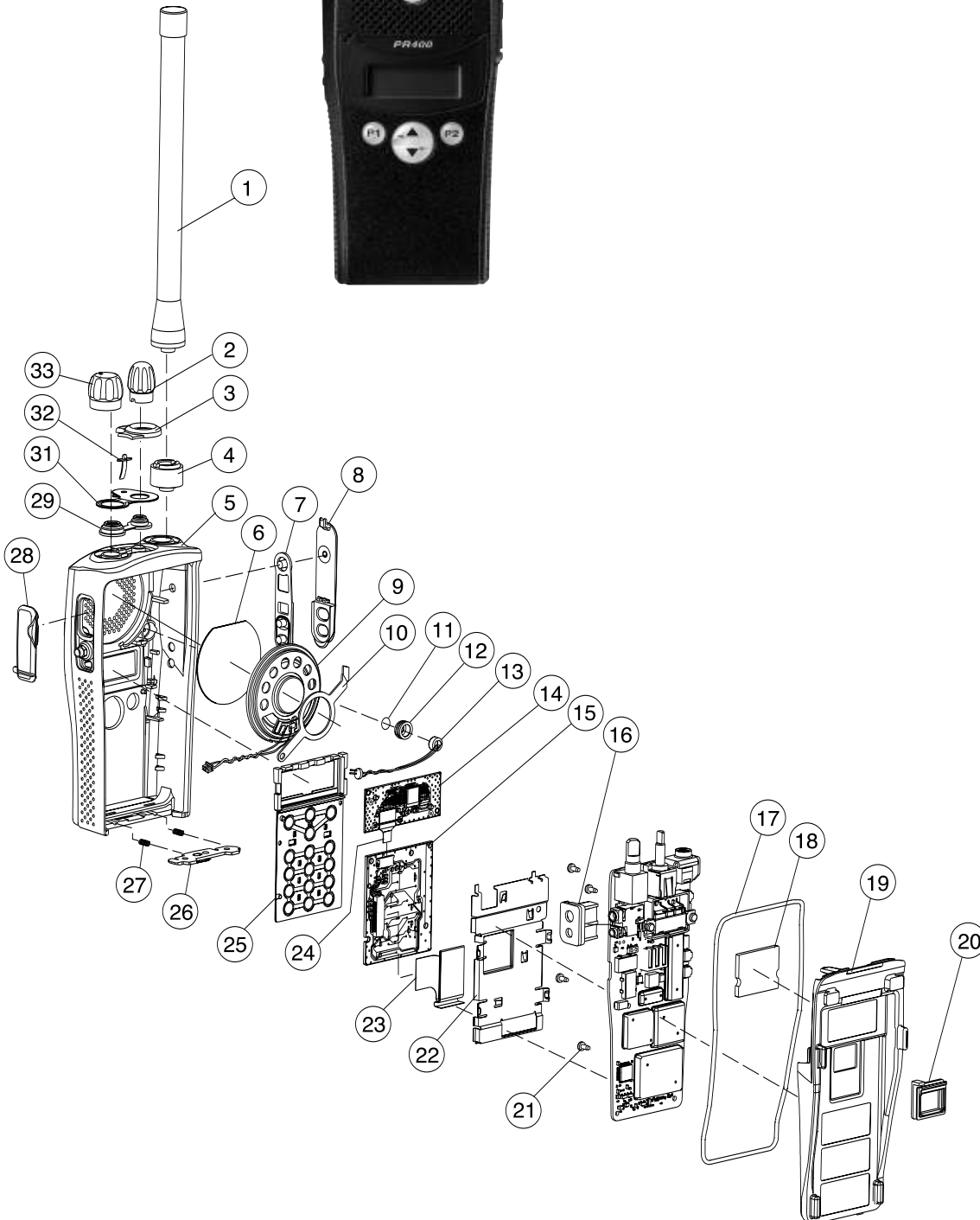
PR400 Series

Parts List

REF. NO.	PART NO.	DESCRIPTION	REF. NO.	PART NO.	DESCRIPTION
1	See Section 6	Antenna	18	7586436Z01	Pad, PA Interface
2	3680530Z02	Knob, Frequency	19	2786389Z01	Chassis
3	1386440Z01	Escutcheon, Top; 4 Ch.	20	3286435Z01	Seal, Battery Contact Block
	1386440Z02	Escutcheon, Top; 16 Ch.	21	0304726J05	Screws, Chasis; 4 Used
4	5886627Z01	Antenna Adaptor/Seal (Optional)	22	4286648Z01	Plate, Retainer
5	1586391Z03	Housing, ELP+, Full, with Lens	23	0909059E19	Connector, 28-pin
6	3586621Z01	Speaker, Felt	25	7586654Z03	Keypad, Full
7	3886489Z01	PTT, Rubber	26	5586445Z02	Latch Assembly
8	4586439Z01	PTT, Plastic	27	4105944K01	Spring, Latch; 2 Used
9	5085738Z08	Speaker	28	3886441Z01	Cap, Dust
10	4286620Z01	Retainer Speaker	29	3286432Z01	Seal, Control Shaft
11		Felt, Microphone	31	3386443Z01	Lable, Escutchen Seal
12	0786469Z01	Boot, Microphone	32	6186446Z02	Lightpipe
13	5085880L01	Microphone	33	3680529Z01	Knob, Volume
14	5104949J16	Display, LCD Module	NON-REFERENCED ITEMS		
15	0104017J18	Keypad Board Assy		3386625Z01	Nameplate, Motorola
16	1586437Z01	Shroud, Audio Jack		3386623Z09	Nameplate, Radius PR400
17	3286431Z02	Seal, Main O-ring			

PR400 Series

Parts List



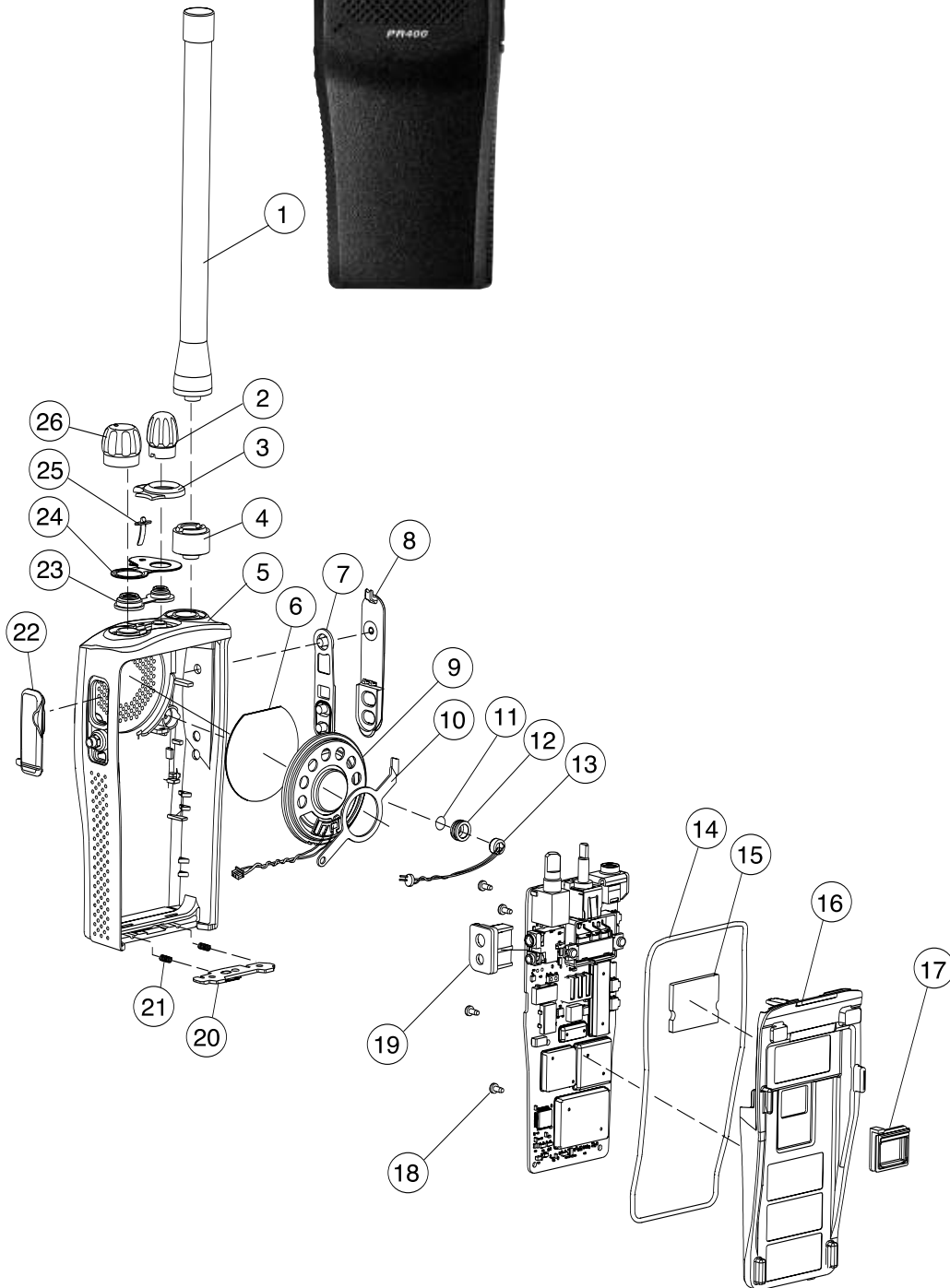
PR400 Series

Parts List

REF. NO.	PART NO.	DESCRIPTION	REF. NO.	PART NO.	DESCRIPTION
1	See Section 6	Antenna	19	2786389Z01	Chassis
2	3680530Z02	Knob, Frequency	20	3286435Z01	Seal, Battery Contact Block
3	1386440Z03	Escutcheon, Top; 4 Ch. Escutcheon, Top; 16 Ch.	21	0304726J05	Screws, Chasis; 4 Used
4	5886627Z01	Antenna Adaptor/Seal (Optional)	22	4286648Z01	Plate, Retainer
5	1586391Z02	Housing, ELP+, Limited, with Lens	23	0986615Z02	Connector, 28-pin
6	3586621Z01	Speaker, Felt	24	0986632Z02	Connector, 9-pin
7	3886489Z01	PTT, Rubber	25	7586654Z02	Keypad, Limited
8	4586439Z01	PTT, Plastic	26	5586445Z02	Latch Assembly
9	5085738Z08	Speaker	27	4105944K01	Spring, Latch; 2 Used
10	4286620Z01	Retainer Speaker	28	3886441Z01	Cap, Dust
11		Felt, Microphone	29	3286432Z01	Seal, Control Shaft
12	0786469Z01	Boot, Microphone	31	3386443Z01	Lable, Escutchen Seal
13	5085880L01	Microphone	32	6186446Z02	Lightpipe
14	5104949J16	Display, LCD Module	33	3680529Z01	Knob, Volume
15	0104017J19	Keypad Board Assy			
16	1586437Z01	Shroud, Audio Jack	NON-REFERENCED ITEMS		
17	3286431Z02	Seal, Main O-ring		3386625Z01	Nameplate, Motorola
18	7586436Z01	Pad, PA Interface		3386623Z09	Nameplate, Radius PR400

PR400 Series

Parts List



PR400 Series

Parts List

REF. NO.	PART NO.	DESCRIPTION
1	See Section 6	Antenna
2	3680530Z02	Knob, Frequency
3	1386440Z02	Escutcheon, Top; 16 Ch.
4	5886627Z01	Antenna Adaptor / Seal
5	1586391Z01	Housing, ELP+, Plain
6	3586621Z01	Felt, Speaker
7	3886489Z01	PTT, Rubber
8	4586439Z01	PTT, Plastic
9	5085738Z08	Speaker
10	4286620Z01	Retainer, Speaker
11		Felt, Microphone
12	0786469Z01	Boot, Microphone
13	5085880L01	Microphone
14	3286431Z02	Seal, Main O-ring
15	7586436Z01	Pad, PA Interface
16	2786389Z01	Chassis
17	3286435Z01	Seal, Battery Contact Block
18	0304726J05	Screws, Chassis; 4 Used
19	1586437Z01	Shroud, Audio Jack
20	5586445Z02	Latch Assembly
21	4105944K01	Spring, Latch; 2 Used
22	3886441Z01	Cap, Dust
23	3286432Z01	Seal, Control Shaft
24	3386443Z01	Lable, Escutcheon Seal
25	6186446Z02	Lightpipe
26	3680529Z01	Knob, Volume
NON-REFERENCED ITEMS		
	3386625Z01	Nameplate, Motorola
	3386623Z09	Nameplate, Radius PR400

CP150/200 & PR400 Series

Portable Accessories

Chargers



WPLN4138AR

Rapid Rate Chargers

WPLN4138AR Single-unit Rapid Rate Tri-chemistry Desktop Charger; lightweight and compact unit charger rapidly charges CP150 and CP200 NiCd and Li-ion batteries within two hours

WPLN4137AR Single-unit Rapid Rate Tri-chemistry Desktop Charger (Base Only)

WPLN4161AR 6-Pocket, Rapid Rate, Multi-Unit Charger, 120 Volt; Supports NiCD, NiMH, and Li-ion chemistries.

HLN9293A Wall Mount Bracket for WPLN4161AR

EPNN7994A Rapid Rate Charger Transformer (U.S.) 120 volt



WPLN4161AR

10-Hour Chargers

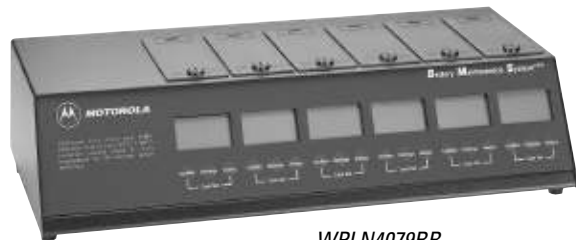
10-Hour Chargers are considered slow-rate chargers and will charge batteries overnight.

EPNN7997A 10-Hour Plug-In Charger; slow-rate charger plugs directly into the radio accessory connector

WPLN4155AR 10-Hour Desktop Charger, 120 Volt; Lightweight and compact. For use with NNTN4496AR only.

Battery Maintenance System^{plus} (BMS^{plus})

Using interchangeable battery adapters (sold separately), the BMS^{plus} is capable of charging and discharging, analyzing, conditioning and cycle test on batteries; tracking battery voltage and capacity (mAh). The BMS^{plus} offers a 3 year warranty. Its easy-to-use design supports hundreds of 2-way, cellular, and camcorder batteries with printer port* (Serial-RS-232C port – uses female 9-pin to male 25-pin cable).



WPLN4079BR

WPLN4079BR Six-Station, 110V AC, 50/60 Hz

WPLN4080BR Six-Station, 230V AC, 50/60 Hz

NDN4005B Three-Station, 110V AC, 50/60 Hz (does not support Li-ion or 3-cell batteries)

NDN4006B Three-Station, 230V AC, 50/60 Hz (does not support Li-ion or 3-cell batteries)

BMS^{plus} Field Upgrade Kit

WPPN4085BR BMS^{plus} Field Upgrade Kit for WPLN4079AR, **WPLN4080AR** and WPLN4081AR allows these units to support Li-ion battery chemistries

Battery Maintenance System^{PLUS} Adapters

RRDN5768A BMS^{plus} Adapter Plate, Li-ion

RRDN5770A BMS^{plus} Adapter Plate, NiCd

* Compatible with the STAR Micronics SP200 series printers, available from any STAR Micronics distributor, and other printers with STAR emulation.

CP150/200 & PR400 Series

Portable Accessories

Battery Optimizing System II (BOS II)



WPLN4124AR

No other battery analyzer matches the speed, accuracy, and versatility of the Battery Optimizing System II. Ideal for large fleet, public safety, and all other users who rely on their battery performance. Now with increased power, more sophisticated programming options, and easier to use navigation paths, optimizing your batteries was never easier. Key features include:

- Support for NiCd, NiMH, Li-ion, and SLA batteries
- 100 watt power supply and programmable from 100 mAH to 4 amps per station
- Interchangeable adapters accommodate all major brands
- Includes a variety of user programs and allows for customizable programming
- Proprietary recondition cycle restores NiCd and NiMH batteries
- Increased processing power and testing resolution – including a three minute Quicktest that measures the battery's State of Health (SoH)
- Printer output for reports and labels
- Three year warranty

WPLN4124AR BOS II, Four-Station, 100-240V AC (US line cord)

WPLN4125AR BOS II, Four-Station, 100-240V AC (UK/Euro line cords)

BOS II Battery Adapter

RRDN5769A BOS II Adapter Plate, NiCd, NiMH, Li-ion

Carry Accessories

Carrying Cases

A variety of carrying accessories are available for comfort and convenience. The carrying cases are available in sizes designed to fit radios with a battery and permit audio to be heard clearly.



RLN5385B

Non-Display Models

RLN5383A Leather Case with Belt Loop and D-Rings

RLN5384B Leather Case with 2.5-Inch Swivel and D-Rings

RLN5385B Leather Case with 3-Inch Swivel and D-Rings

HLN9701B Nylon Case with Belt Loop and D-Rings



RLN5642A

Limited Display Models

RLN5640A Leather DTMF Case with Belt Loop and D-Rings

RLN5641A Leather DTMF Case with 2.5-Inch Swivel and D-Rings

RLN5642A Leather DTMF Case with 3-Inch Swivel and D-Rings

HLN9701B Nylon Case with Belt Loop and D-Rings



HLN9701B

Full Display Models

RLN5498A Soft Leather Case with Belt Clip

RLN5496A Leather Case with Swivel - Full Keypad Models Only

RLN5497A Leather Case with Swivel - Limited Keypad Models Only

HLN9701B Nylon Case with Belt Loop and D-Rings

Carrying Strap

NTN5243A Shoulder Carry Strap; for use with Carry Cases with "D" rings

RLN5716A T-Strap for Leather Cases

CP150/200 & PR400 Series

Portable Accessories

Carry Accessories

Belt Loops and Clips

4280483B03 2.5-Inch Belt Swivel Loop

4280483B04 3-Inch Belt Swivel Loop

RLN5644A Spring Action 2-Inch Belt Clip

HLN8255B Spring Action 3-inch Belt Clip



RLN5644A

Waterproof Bag

HLN9985B Waterproof Bag; includes a large carry strap

Chest Pack

This lightweight harness is designed for a safe and secure means of carrying portable radios in a variety of applications and environments. Includes a radio holder, pen holder and secured pocket for spare batteries, tools, and other communication devices. Can be comfortably worn on the chest, with adjustable straps to fit most body shapes and heights.



HLN6602A

HLN6602A Universal Chestpack

1505596Z02 Replacement Strap for HLN6602/RLN4570A



RLN4570A

Break-A-Way Chest Pack

All the features of the original Universal Chest Pack (HLN6602A) plus break-a-way tabs that allow the entire pack to be pulled off with approximately 10 lbs. of pressure. For use with PR400 only.

RLN4570A Break-a-Way Chest Pack with Radio Holder; Pen Holder and Velcro Secured Pouch

Carry Accessories

RadioPAK™



RLN4815A

Worn around the waist, it holds Two-way radios, iDEN® portables or cellular phones...keeping them right at hand. Includes a separate 6 x 8 inch zippered pouch for other on-the-job necessities. Adjustable nylon weave belt; fits both men and women.

RLN4815A RadioPAK Radio/Utility Case

4280384F89 Universal RadioPAK belt lengthener, fits waists larger than 40"

Portable Radio Hangers

Portable Radio Hangers slide over and hang from the vehicle panel. Radio belt clip required.

TDN9327A Portable Radio Hanger. For door panels up to 2.75 inches.

TDN9373A Portable Radio Hanger. For door panels 2.75 to 3.25 inches.



TDN9327A

TDN9373A

CP150/200 & PR400 Series

Portable Accessories

Audio Accessories

Remote Speaker Microphone

Allows you to talk and listen without removing the radio from the belt, case or charger. Ideal for high noise level environments. This water resistant compact unit has a coiled cord, PTT switch and black cover clothing clip.

HMN9030A*

Remote speaker microphone

HKN9094A*

Replacement Coiled Cord for HMN9030A



HMN9030A



RLN4294A



RLN4295A

Epaulet Strap

Black leather epaulet strap secures remote speaker microphone to epaulet of shirts or jackets and attach around cord or back of microphone. Allows reliable communications in hostile environments with velcro or clip style strap.

RLN4294A Velcro Epaulet Strap

RLN4295A Small clip epaulet strap

Audio Accessories

Surveillance Kits

Surveillance accessories allow the user to privately receive communications with the earpiece and are ideal when environments require discrete communications.

HMN9727B* Receive-only Surveillance Kit, beige (single-wire)

RLN4894A Receive-only Surveillance Kit, black (single-wire)

RLN5198AP Beige Two-wire Surveillance Kit with Clear Comfortable Acoustic Tube – Resale Packaged



RLN4894A



HMN9754D

HMN9752B* Receive-Only Earpiece with Volume Control (1-Wire). Beige.

HMN9754D* Earpiece with Microphone and Push-to-Talk Combined (2-Wire). Beige.

RLN4895A Earpiece with Microphone and Push-to-Talk Combined (2-Wire). Black

*Intrinsically Safe with PR400 only.

CP150/200 & PR400 Series

Portable Accessories

Audio Accessories

Surveillance Kits - With Extended-Wear Comfort Earpiece

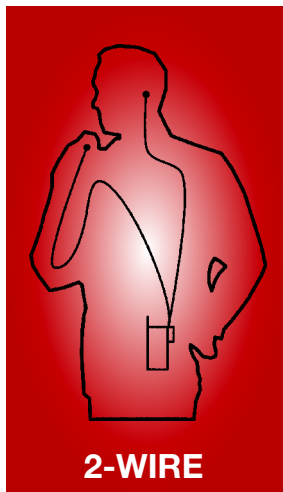
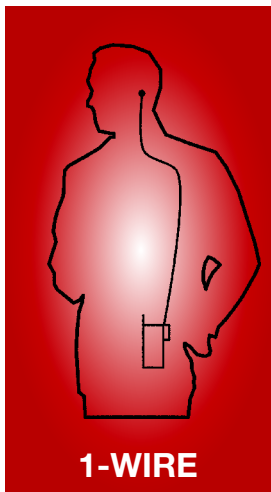
These kits include an extended-wear comfort earpiece that has a rubber eartip and clear, comfortable acoustic tube. Users hear transmissions clearly, while the clear tube provides a discreet appearance.

RLN5318A Comfort Earpiece with Microphone and Push-to-Talk Combined (2-Wire). Black.

RLN5317A Comfort Earpiece with Microphone and Push-to-Talk Combined (2-Wire). Beige.

Surveillance Kit Replacement Accessories

5080370E97 Standard rubber eartips, pack of 25, Clear



Audio Accessories

Noise Kits

Lightweight translucent tube attaches to Motorola surveillance accessories. Clothing clip prevents the accessory from being pulled from the ear due to body movement or head rotation.

NTN8370A Extreme noise kit, includes 2 foam earplugs for loud environments, provides 24dB of noise reduction

NTN8371A Low noise kit, includes rubber eartip for low noise environments, does not provide hearing reduction



NTN8370A

5080369E39† Extra Loud Earphone. Beige.

5080370E91† Extra Loud Earphone. Black.

5080370E97 Standard Rubber Eartips, Clear.

5080384F72 Replacement foam plugs; pack of 50 (For use with NTN8370A) Noise Reduction Rating = 24dB

5080371E73 Replacement standard rubber eartips (for use with NTN8371A), beige

† Extra Loud Earphone exceeds OSHA limits.

CP150/200 & PR400 Series

Portable Accessories

Audio Accessories

Clear Comfortable Earpiece

The clear comfortable earpiece forms to the inside of your ear and is perfect for low noise environments. Compatible with the NTN8371A, clear acoustic tube assembly, and most surveillance kits (1-, 2-, and 3-wire). This earpiece is made of easy to clean chemically inert, hypoallergenic material. Does not provide hearing protection. There are 3 items needed to make this product work:

1. Clear comfortable earpiece
2. Clear acoustic tube assembly (NTN8371A)
3. Surveillance kits

RLN4760A Small custom earpiece, right ear

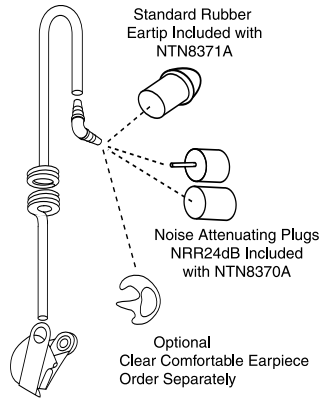
RLN4763A Small custom earpiece, left ear

RLN4761A Medium custom earpiece, right ear

RLN4764A Medium custom earpiece, left ear

RLN4762A Large custom earpiece, right ear

RLN4765A Large custom earpiece, left ear



Acoustic Tube with Earphone



Audio Accessories

Ear Microphone System (EMS)

This compact, lightweight unit picks up sound through bone vibrations in the ear canal. The miniature earpiece leaves the hands free and face unobscured, good for rescue and emergency personnel that must retain the ability to help, hear and speak directly to others... those not on the communication system. EMS may be worn with protective masks without reduction in clarity of sound. It's ideal for high noise environments.

BDN6646C* Standard EMS with Push-to-Talk Interface Module. For noise levels up to 95dB.

BDN6706B* Standard EMS with Voice-Activated Interface Module. For noise levels up to 95dB.



*Intrinsically Safe with PR400 only.

CP150/200 & PR400 Series

Portable Accessories

Audio Accessories

Ear Microphone System (EMS) (cont'd)

Optional Accessories for the EMS

0180358B38* Remote Push-to-Talk Ring Switch

0180300E83* Remote Push-to-Talk Body Switch

0180358B32 Earholder, Black, size small.
Secures Ear Microphone in ear.

0180358B33 Earholder, Black, size medium.
Secures Ear Microphone in ear.

0180358B34 Earholder, Black, size large.
Secures Ear Microphone in ear.

0180358B35 Earholder, Clear, size small.
Secures Ear Microphone in ear.

0180358B36 Earholder, Clear, size medium.
Secures Ear Microphone in ear.

0180358B37 Earholder, Clear, size large.
Secures Ear Microphone in ear.

4280369E44 Replacement Belt Clip with Screws

5080358B28 Eartips. Black, size medium. Pack of 10.

5080358B29 Eartips. Black, size large. Pack of 10.

5080358B30 Eartips. Beige, size medium. Pack of 10.

5080358B31 Eartips. Beige, size large. Pack of 10.



0180358B33

Audio Accessories

Flexible Ear Receiver

Single wire, receive only earpiece provides discrete receipt of communication. Adjustable earloop fits comfortably and securely outside of the ear. Security clamp is recommended and must be ordered separately.

BDN6720A Black Flexible ear receiver earpiece without volume control

7580372E11 Replacement Foam Ear Cushion for BDN6720A



BDN6720A

Pellet Style Earpieces



HMN9036A

The Pellet Style Earpiece allows the user to receive communication discreetly and is comfortable for extended wear use.

HMN9036A Earbud with Microphone and Push-to-Talk (two wire and not recommended for use with PL codes above 225 Hz)

HLN9132A Single-Wire Receive Only Earbud (single wire and not recommended for use with PL codes above 225 Hz)

Ultra-light Headset

Designed with a sleek new look that fits right in with Restaurant and Hospitality industries. Lightweight, behind-the-head style design provides comfort and mobility. Includes flexible boom microphone and in-line Push-to-Talk button.

RLN5411A Ultra-light Headset



RLN5411A

*Intrinsically Safe with PR400 only.

CP150/200 & PR400 Series

Portable Accessories

Audio Accessories

Ultra-light Earpiece

Small and lightweight, this earpiece clips comfortably to the ear and features a boom microphone and in-line PTT.

PMMN4001A Ultra-light earpiece with microphone and push-to-talk



PMMN4001A

Lightweight Headsets

Lightweight headsets allow for high clarity, hands free, discrete two way communications while adding comfort for extended wear in moderate noise environments. No adapter required.



RMN4016A

RLN5411A Ultra-Light, Behind-the-Head with Boom Microphone and In-line Push-to-Talk

RMN4016A* Lightweight single muff headset with swivel boom microphone for left or right ear operation with in line PTT button

HMN9013B* Lightweight adjustable headset with swivel boom microphone

REX4648A Replacement foam earpad and windscreen kit for RMN4016A and HMN9013A,

Audio Accessories

NFL® Style Lightweight Headset

This single-muff headset takes its styling cue from the Motorola headsets used by NFL coaches in football stadiums around the country. Ergonomically-designed for all-day comfort, it's ideal for both sports and special events. Features a noise canceling boom microphone and in-line Push-To-Talk. Large Motorola logo adds a sporty appearance.

RLN5238B Single-Muff, Lightweight Headset with Swivel Boom Microphone

RMN5047A Single-Muff, Heavy-Duty Headset with Swivel Boom Microphone. Not compatible with the PR400



RLN5238A



RMN5047A

Medium Weight Headsets

Medium weight headsets offer high clarity sound with the additional hearing protection necessary for providing consistent, clear two way radio communication in harsh, noisy situations.



HMN9021A

HMN9021A Medium weight muff headset, over the head noise reduction rating = 24dB (HLN8096 security clamp recommended ordered separately)

**Intrinsically Safe with PR400 only.*

CP150/200 & PR400 Series

Portable Accessories

Audio Accessories

Medium Weight Headsets

HMN9022A Medium weight dual muff headset, behind the head (can be worn with helmet); noise reduction rating = 24dB (HLN8096 security clamp recommended ordered separately)



HMN9022A

BDN6647G Medium weight single speaker headset with boom microphone (HLN8096 security clamp recommended - order separately complete with internal VOX)

3580371E59 Replacement windscreen (for boom microphone); for use with BDN6647G

5080371E66 Replacement earpad for BDN6647G

Racing Headset

Same headset worn by pit crews on the CART racing circuit. Heavy duty, behind the head headset with noise cancelling swivel boom microphone. Noise reduction rating = 24dB (adapter cable required and sold separately)

RMN5015A Racing Headset

RKN4090A Adapter Cable for Racing Headset (RMN5015)



RMN5015A

Audio Accessories

Heavy Duty Headsets

Heavy duty headsets include noise-canceling boom microphones and can be worn with or without a hardhat. The Push-To-Talk switch is located on the earcup. The VOX module is contained within the headset on voice activated units.



BDN6648C

BDN6648C Heavy duty headset with noise cancelling boom microphone, noise reduction rating = 24dB

Accessory Retainer Clip

RLN5500A Accessory Retainer Clip. Holds audio accessory securely to radio.

Hardhat Mount Headset

Ideal for two-way communication in high-noise environments; mounts easily to hardhats with slots, excellent noise reduction of 22dB. Easily replaceable ear seals are filled with liquid and foam combination to provide excellent sealing comfort. 3-foot coiled cord assembly. Adapter Cable required.

RMN4051B Two-way, Hardhat Mount Headset with Noise-Cancelling Boom Microphone

RKN4094A Adapter Cable with In-Line Push-to-Talk. For use with RMN4051B.



RMN4051B

CP150/200 & PR400 Series

Antennas,
Batteries,
Manuals

Portable Antennas

VHF

NAD6502AR

6" Heliflex 146-174 MHz

HAD9742A

3" Stubby 146-162 MHz

HAD9743A

3" Stubby 162-174 MHz



UHF

NAE6483AR

6" Flexible whip 403-520 MHz

NAE6522AR

6" Flexible whip 438-470 MHz

8505816K26

UHF Heliflex Stubby Antenna,
470-512 MHz



Portable Batteries

Nickel-Cadmium Premium

Part Number: **NNTN4496AR**

Volts: 7.5

Avg. mAh: 1100

Height: 4-3/4"

Intrinsically Safe: No

Portable Batteries

Lithium-ion Premium

Part Number: **NNTN4497AR**

Volts: 7.2

Avg. mAh: 1800

Height: 4-3/4"

Intrinsically Safe: No

Part Number: **NNTN4970A**

Volts: 7.2

Avg. mAh: 1600

Height: 4-3/4"

Intrinsically Safe: No

Nickel Metal Hydride Premium

Part Number: **NNTN4851A**

Volts: 7.5

Avg. mAh: 1400

Height: 4-3/4"

Intrinsically Safe: No

Part Number: **NNTN4852A***

Volts: 7.5

Avg. mAh: 1300

Height: 4-3/4"

*Intrinsically Safe: Yes, with PR400 only

Programming Software

RVN4191A

Commercial Series Programming Software

Manuals

6880309N61

Basic Service Manual

6881096C24

PR400 Basic Service Manual

6881096C25

PR400 Detailed Service Manual

6881096C26

PR400 User Guide Limited Keypad

6881096C27

PR400 User Guide Non-Display